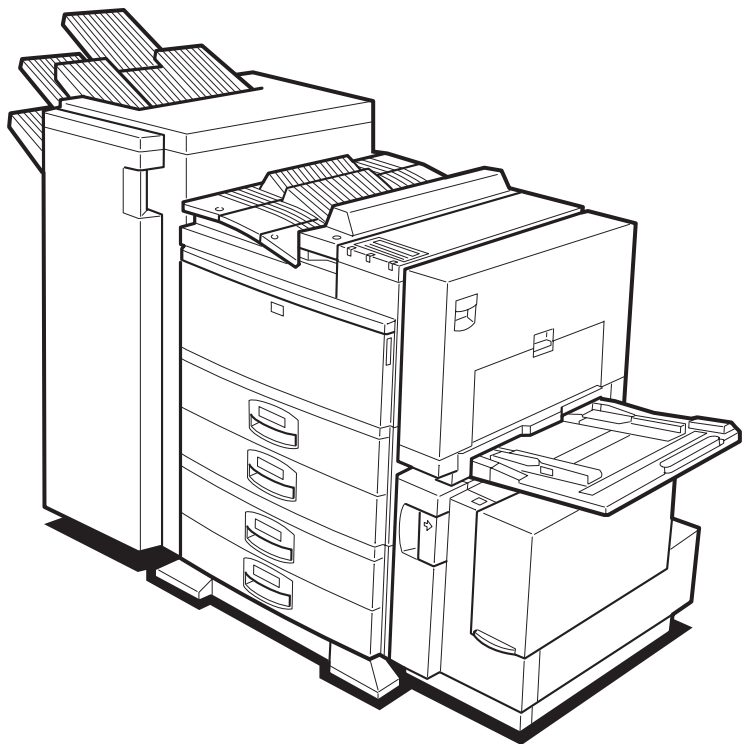


RICOH

Aficio

AP4500

OPERATING INSTRUCTIONS



Read this manual carefully before you use this product and keep it handy for future reference.

For safety, please follow the instructions in this manual.



RICOH COMPANY, LTD.

15-5, 1 chome, Minami-Aoyama, Minato-ku, Tokyo
Telephone: Tokyo 3479-3111

Overseas Affiliates

U.S.A.

RICOH CORPORATION
5 Dedrick Place
West Caldwell, New Jersey 07006
Phone: +1-973-882-2000

The Netherlands

RICOH EUROPE B.V.
Groenelaan 3, 1186 AA, Amstelveen
Phone: +31-(0)20-5474111

United Kingdom

RICOH UK LTD.
Ricoh House,
1 Plane Tree Crescent, Feltham,
Middlesex, TW13 7HG
Phone: +44-(0)181-261-4000

Germany

RICOH DEUTSCHLAND GmbH
Mergenthalerallee 38-40,
65760 Eschborn
Phone: +49-(0)6196-9060

France

RICOH FRANCE S.A.
383, Avenue du Général de Gaulle
BP 307-92143 Clamart Cedex
Phone: +33-(0)1-40-94-38-38

Spain

RICOH ESPAÑA S.A.
Avda. Litoral Mar, 12-14,
08005 Barcelona
Phone: +34-(0)93-295-7600

Italy

RICOH ITALIA SpA
Via della Metallurgia 12,
37139 Verona
Phone: +39-(0)45-8181500

Hong Kong

RICOH HONG KONG LTD.
23/F., China Overseas Building,
139, Hennessy Road,
Wan Chai, Hong Kong
Phone: +852-2862-2888

Singapore

RICOH ASIA PACIFIC PTE.LTD.
260 Orchard Road,
#15-01/02 The Heeren,
Singapore 238855
Phone: +65-830-5888

Model number: G035-17

Printed in Japan

UE  G035-8607

Introduction

This manual contains detailed instructions on the operation and maintenance of this machine. To get maximum versatility from this machine all operators should carefully read and follow the instructions in this manual. Please keep this manual in a handy place near the machine.

Please read the Safety Information before using this machine. It contains important information related to USER SAFETY and PREVENTING EQUIPMENT PROBLEMS.

Note

The names of the applications do not appear in the following pages. Confirm which applications you will be using before reading this manual.

Descriptions in this manual	Application
PRINTER MANAGER FOR ADMINISTRATOR	Aficio Manager for Admin
PRINTER MANAGER FOR CLIENT	Aficio Manager for Client

Consumables:

Toner
RICOH Toner Type 3100D Black

Maintenance Kit	Components
Maintenance Kit Type 4500A	Development Unit (including Photo Conductor Unit)
Maintenance Kit Type 4500B	Fusing Unit Transfer Unit

Software Versions Conventions Used in this Manual

- NetWare3.x means NetWare 3.11, 3.12 and 3.2.
- NetWare4.x means NetWare 4.1, 4.11 and IntranetWare.

Power Source

120 V, 60 Hz, 10 A or more

Please be sure to connect the power cord to a power source as above.

Operator Safety:

This machine is considered a CDRH class I laser device, safe for office/ EDPuse. The machine contains 5-milliwatt, 760 - 800 nanometer wavelength, GaAlAs laser diodes. Direct (or indirect reflected) eye contact with the laser beam might cause serious eye damage. Safety precautions and interlock mechanisms have been designed to prevent any possible laser beam exposure to the operator.

Laser Safety:

The Center for Devices and Radiological Health (CDRH) prohibits the repair of laser-based optical unit in the field. The optical housing unit can only be repaired in a factory or at a location with the requisite equipment. The laser subsystem is replaceable in the field by a qualified Customer Engineer. The laser chassis is not repairable in the field. Customer engineers are therefore directed to return all chassis and laser subsystems to the factory or service depot when replacement or the optical subsystem is required.

Important

Parts of this manual are subject to change without prior notice. In no event will the company be liable for direct, indirect, special, incidental, or consequential damages as a result of handling or operating the machine.

Caution:

Use of controls or adjustment or performance of procedures other than those specified in this manual might result in hazardous radiation exposure.

Do not attempt any maintenance or troubleshooting other than that mentioned in this manual. This machine contains a laser beam generator and direct exposure to laser beams can cause permanent eye damage.

Two kinds of size notation are employed in this manual. With this machine refer to the inch version.

Ricoh shall not be responsible for any damage or expense that might result from the use of parts other than genuine Ricoh parts in your Ricoh office product.

For good copy quality, Ricoh recommends that you use genuine Ricoh toner.

Note to users in the United States of America

Notice:

This equipment has been tested and found to comply with the limits for a Class B digital device, pursuant to Part 15 of the FCC Rules. These limits are designed to provide reasonable protection against harmful interference in a residential installation. This equipment generates, uses and can radiate radio frequency energy and, if not installed and used in accordance with the instructions, may cause harmful interference to radio communications.

However, there is no guarantee that interference will not occur in a particular installation. If this equipment does cause harmful interference to radio or television reception, which can be determined by turning the equipment off and on, the user is encouraged to try to correct the interference by one more of the following measures:

Reorient or relocate the receiving antenna.

Increase the separation between the equipment and receiver.

Connect the equipment into an outlet on a circuit different from that to which the receiver is connected.

Consult the dealer or an experienced radio/TV technician for help.

Warning

Changes or modifications not expressly approved by the party responsible for compliance could void the user's authority to operate the equipment.

Caution (in case of 100BaseTX environment):

1. Properly shielded and grounded cables (STP) and connectors must be used for connections to host computer (and/or peripheral) in order to meet FCC emission limits.
2. STP with ferrite core must be used for RF interference suppression.

Declaration of Conformity

Product Name: Printer

Model Number: G035-17

Responsible party: Ricoh Corporation

Address: 5 Dedrick Place, West Caldwell, NJ 07006

Telephone number: 973-882-2000

This device complies with part 15 of the FCC Rules.

Operation is subject to the following two conditions:

1. This device may not cause harmful interference, and
2. this device must accept any interference received, including interference that may cause undesired operation.

Note to users in Canada

Note:

This Class B digital apparatus complies with Canadian ICES-003.

Remarque concernant les utilisateurs au Canada

Avertissement:

Cet appareil numérique de la classe B est conforme à la norme NMB-003 du Canada.

In accordance with IEC 60417, this machine uses the following symbols for the main power switch:

I means **POWER ON.**

O means **POWER OFF.**

Introduction

This manual contains detailed instructions on the operation and maintenance of this machine. To get maximum versatility from this machine all operators should carefully read and follow the instructions in this manual. Please keep this manual in a handy place near the machine.

Please read the Safety Information before using this machine. It contains important information related to USER SAFETY and PREVENTING EQUIPMENT PROBLEMS.

Note

The names of the applications do not appear in the following pages. Confirm which applications you will be using before reading this manual.

Descriptions in this manual	Application
PRINTER MANAGER FOR ADMINISTRATOR	Net Virsion for Admin
PRINTER MANAGER FOR CLIENT	Net Virsion for Client

Consumables:

Toner
SLP45/P7045 Toner

Maintenance Kit	Components
SLP/P7045 for Maintenance Kit Type 4500A	Development Unit (including Photo Conductor Unit)
SLP/P7045 for Maintenance Kit Type 4500B	Fusing Unit Transfer Unit

Software Versions Conventions Used in this Manual

- NetWare3.x means NetWare 3.11, 3.12 and 3.2.
- NetWare4.x means NetWare 4.1, 4.11 and IntranetWare.

Power Source

120 V, 60 Hz, 10 A or more

Please be sure to connect the power cord to a power source as above.

Operator Safety:

This machine is considered a CDRH class I laser device, safe for office/ EDPuse. The machine contains 5-milliwat, 760 - 800 nanometer wavelength, GaAlAs laser diodes. Direct (or indirect reflected) eye contact with the laser beam might cause serious eye damage. Safety precautions and interlock mechanisms have been designed to prevent any possible laser beam exposure to the operator.

Laser Safety:

The Center for Devices and Radiological Health (CDRH) prohibits the repair of laser-based optical unit in the field. The optical housing unit can only be repaired in a factory or at a location with the requisite equipment. The laser subsystem is replaceable in the field by a qualified Customer Engineer. The laser chassis is not repairable in the field. Customer engineers are therefore directed to return all chassis and laser subsystems to the factory or service depot when replacement or the optical subsystem is required.

Important

Parts of this manual are subject to change without prior notice. In no event will the company be liable for direct, indirect, special, incidental, or consequential damages as a result of handling or operating the machine.

Caution:

Use of controls or adjustment or performance of procedures other than those specified in this manual might result in hazardous radiation exposure.

Do not attempt any maintenance or troubleshooting other than that mentioned in this manual. This machine contains a laser beam generator and direct exposure to laser beams can cause permanent eye damage.

Two kinds of size notation are employed in this manual. With this machine refer to the inch version.

Supplier shall not be responsible for any damage or expense that might result from the use of parts other than genuine supplier's parts in your supplier's office product.

For good copy quality, supplier recommends that you use genuine supplier's toner.

Note to users in the United States of America

Notice:

This equipment has been tested and found to comply with the limits for a Class B digital device, pursuant to Part 15 of the FCC Rules. These limits are designed to provide reasonable protection against harmful interference in a residential installation. This equipment generates, uses and can radiate radio frequency energy and, if not installed and used in accordance with the instructions, may cause harmful interference to radio communications.

However, there is no guarantee that interference will not occur in a particular installation. If this equipment does cause harmful interference to radio or television reception, which can be determined by turning the equipment off and on, the user is encouraged to try to correct the interference by one more of the following measures:

Reorient or relocate the receiving antenna.

Increase the separation between the equipment and receiver.

Connect the equipment into an outlet on a circuit different from that to which the receiver is connected.

Consult the dealer or an experienced radio/TV technician for help.

Warning

Changes or modifications not expressly approved by the party responsible for compliance could void the user's authority to operate the equipment.

Caution (in case of 100BaseTX environment):

1. Properly shielded and grounded cables (STP) and connectors must be used for connections to host computer (and/or peripheral) in order to meet FCC emission limits.
2. STP with ferrite core must be used for RF interference suppression.

Declaration of Conformity

Product Name: Printer

Model Number: G035-15

Responsible party: Ricoh Corporation

Address: 5 Dedrick Place, West Caldwell, NJ 07006

Telephone number: 973-882-2000

This device complies with part 15 of the FCC Rules.

Operation is subject to the following two conditions:

1. This device may not cause harmful interference, and
2. this device must accept any interference received, including interference that may cause undesired operation.

Note to users in Canada

Note:

This Class B digital apparatus complies with Canadian ICES-003.

Remarque concernant les utilisateurs au Canada

Avertissement:

Cet appareil numérique de la classe B est conforme à la norme NMB-003 du Canada.

In accordance with IEC 60417, this machine uses the following symbols for the main power switch:

I means **POWER ON.**

O means **POWER OFF.**

Trademarks

Microsoft[®], Windows[®], and MS-DOS[®] are registered trademarks of Microsoft Corporation in the United States and/or other countries.

PostScript[®] is a registered trademark of Adobe Systems, Incorporated.

PCL[®] is a registered trademark of Hewlett-Packard Company.

AppleTalk, Apple, Macintosh, TrueType, LaserWriter are registered trademarks of Apple Computer, Incorporated.

Ethernet[®] is a registered trademark of Xerox Corporation.

PowerPC is a registered trademark of International Business Machines Corporation.

Other product names used herein are for identification purposes only and might be trademarks of their respective companies. We disclaim any and all rights involved with those marks.

Notes:

Some illustrations might be slightly different from your machine.

Certain options might not be available in some countries. For details, please contact your local dealer.

Notes

The proper names of the Windows operating systems are as follows:

- Microsoft[®] Windows[®] 95 operating system
- Microsoft[®] Windows[®] 98 operating system
- Microsoft[®] Windows[®] for Workgroups operating system Version 3.11
- Microsoft[®] Windows NT[®] Server network operating system Version 4.0
- Microsoft[®] Windows NT[®] Workstation operating system Version 4.0

Safety Information

When using your equipment, the following safety precautions should always be followed.

Safety During Operation

In this manual, the following important symbols are used:

- | |
|--|
| <p>⚠ WARNING:
<i>Indicates a potentially hazardous situation which, if instructions are not followed, could result in death or serious injury.</i></p> <p>⚠ CAUTION:
<i>Indicates a potentially hazardous situation which, if instructions are not followed, may result in minor or moderate injury or damage to property.</i></p> |
|--|

⚠ WARNING:

- ***Connect the power cord directly into a wall outlet and never use an extension cord.***
- ***Disconnect the power plug (by pulling the plug, not the cable) if the power cable or plug becomes frayed or damaged.***
- ***To avoid hazardous electric shock or laser radiation exposure, do not remove any covers or screws other than those specified in this manual.***
- ***Turn off the power and disconnect the power plug (by pulling the plug, not the cable) if any of the following conditions exist:***
 - ***You spill something into the equipment.***
 - ***You suspect that your equipment needs service or repair.***
 - ***Your equipment's cover has been damaged.***
- ***Do not incinerate spilled toner or used toner. Toner dust is flammable and might ignite when exposed to an open flame.***
- ***Disposal should take place at an authorized dealer or appropriate collection site.***
- ***If you dispose of the used toner containers yourself, dispose of them according to local regulations.***

⚠ CAUTION:

- *Protect the equipment from dampness or wet weather, such as rain, snow, and so on.*
- *Unplug the power cord from the wall outlet before you move the equipment. While moving the equipment, you should take care that the power cord will not be damaged under the equipment.*
- *When you disconnect the power plug from the wall outlet, always pull the plug (not the cable).*
- *Do not allow paper clips, staples, or other small metallic objects to fall inside the equipment.*
- *Do not eat or swallow toner.*
- *Keep toner (used or unused) and toner cartridge out of reach of children.*
- *For environmental reasons, do not dispose of the equipment or expended supplies at a household waste collection point. Disposal should take place at an authorized dealer or an appropriate collection site.*
- *Our products are engineered to meet the highest standards of quality and functionality. When purchasing expendable supplies, we recommend using only those specified by an authorized dealer.*
- *The inside of the machine becomes very hot. Do not touch the parts with a label indicating a “hot surface”. Touching a “hot surface” could result in a burn injury.*

Manuals for Your Printer

Manuals for Your Printer

There are three manuals that come with this printer.

To enhance safe and efficient operation of your printer, all users should read and follow the instructions contained in the following manuals.

❖ **Quick Installation Guide**

Describes the procedures for installing your printer.

❖ **Operating Instructions**

Describes the procedures and necessary information on setting up and using your printer and its options. (This Manual)

❖ **PostScript 3 Operating Instructions Supplement**

Describes the menus and features you can set using the PostScript printer driver. The manual is provided as a PDF file which is included in the CD-ROM labeled "Printer Drivers and Utilities".

How to Read this Manual

Symbols

In this manual, the following symbols are used:

 **WARNING:**

This symbol indicates a potentially hazardous situation which, if instructions are not followed, could result in death or serious injury.

 **CAUTION:**

This symbol indicates a potentially hazardous situation which, if instructions are not followed, may result in minor or moderate injury or damage to property.

* The statements above are notes for your safety.

 **Important**

If this instruction is not followed, paper might be misfed, originals might be damaged, or data might be lost. Be sure to read this.

 **Preparation**

This symbol indicates the prior knowledge or preparations required before operating.

 **Note**

This symbol indicates precautions for operation, or actions to take after misoperation.

 **Limitation**

This symbol indicates numerical limits, functions that cannot be used together, or conditions in which a particular function cannot be used.

 **Reference**

This symbol indicates a reference.

[]

Keys that appear on the machine's panel display.

Keys and buttons that appear on the computer's display.

【 】

Keys built into the machine's operation panel.

Keys on the computer's keyboard.

TABLE OF CONTENTS

1. Getting Started

Printer Features	1
Printer Drivers for Your Printer	3
Guide to the Printer	4
Exterior: Front View	4
Exterior: Rear View	5
Interior	6
Operation Panel	7
Keys	8
Guides	9

2. Installing Options

Available Options	12
How to Use the Screwdriver	13
Installing the Memory Unit	14
Installing the Paper Bank PS430	16

3. Configuring the Printer for the Network

Setting Up the IP Parameters	20
Configuring the Printer for the Network with the Operation Panel	20
Dynamic Host Configuration Protocol (DHCP).....	22
Getting Ready for Software Installation	23
Configuration Programs	23
Installing the NIB Setup Tool.....	24
Windows 95/98 Configuration	26
Setting Up Peer-to-Peer Printing.....	26
Windows NT 4.0 Configuration	31
Windows NT 4.0 Configuration	31
Setting Up Peer-to-Peer Printing.....	31
Setting Up LPR Printing	34
NetWare Configuration	36
Quick Setup Using the NIB Setup Tool Wizard.....	36
NetWare 3.x - Advanced Settings	38
NetWare 4.x - Advanced Settings	41
Setting Up a Client Computer	44
Macintosh Configuration	48
Configuring Macintosh	48
UNIX Configuration	49
UNIX Configuration	49

4. Installing the PCL 6/5e Printer Driver

Installing the PCL 6/5e Printer Driver	51
Windows 95/98 - Installing the PCL 6/5e Printer Driver	51
Windows 3.1x - Installing the PCL 6/5e Printer Driver	52
Windows NT 4.0 - Installing the PCL 6/5e Printer Driver	53
Uninstalling the PCL 6/5e Printer Driver	56
Windows 95/98 - Uninstalling the PCL 6/5e Printer Driver.....	56
Windows 3.1x - Uninstalling the PCL 6/5e Printer Driver.....	56
Windows NT 4.0 - Uninstalling the PCL 6/5e Printer Driver.....	57

5. Installing the PostScript Printer Driver

Installing the PostScript Printer Driver	59
Windows 95/98 - Installing the PostScript Printer Driver.....	59
Windows 3.1x - Installing the PostScript Printer Driver.....	60
Windows NT 4.0 - Installing the PostScript Printer Driver.....	61
Using the Adobe PageMaker Version 6.0 or 6.5.....	63
Macintosh - Installing the PostScript Printer Driver.....	63
Uninstalling the PostScript Printer Driver.....	66
Windows 95/98 - Uninstalling the PostScript Printer Driver	66
Windows 3.1x - Uninstalling the PostScript Printer Driver	66
Windows NT 4.0 - Uninstalling the PostScript Printer Driver	66
Macintosh - Uninstalling the PostScript Printer Driver	67

6. Installing the Font Manager

Installing the Font Manager.....	69
Windows 95/98/NT 4.0 - Installing the Font Manager	69
Windows 3.1x - Installing the Font Manager	69
Uninstalling the Font Manager	71
Windows 95/98/NT 4.0 - Uninstalling the Font Manager.....	71
Windows 3.1x - Uninstalling the Font Manager.....	71

7. Setting Up The Printer Driver and Canceling a Print Job

PCL 6/5e - Accessing the Printer Properties	73
Windows 95/98 - Accessing the Printer Properties	73
Windows 3.1x - Accessing the Printer Setting Dialog Box	74
Windows NT 4.0 - Accessing the Printer Properties	75
PostScript - Setting Up for Printing.....	77
Windows 95/98 - Accessing the Printer Properties.....	77
Windows 3.1x - Accessing the Printer Setting Dialog Box	78
Windows NT 4.0 - Accessing the Printer Properties	79
Macintosh - Setting Up for Printing	81
Canceling a Print Job.....	82
Windows 95/98 - Canceling a Print Job	82

Windows 3.1x - Canceling a Print Job	82
Windows NT 4.0 - Canceling a Print Job	83
Macintosh - Canceling a Print Job	84

8. Paper and Other Media

Paper and Other Media Supported by Your Printer	85
Paper Types and Sizes	85
Precautions for Paper	89
Printable Area	92
Loading Paper and Other Media	93
Loading Paper in the Paper Tray	93
Changing Paper Size of the Paper Tray	94
Loading Paper in the Bypass Tray	96
Loading Paper in the Optional Large Capacity Tray	97

9. Troubleshooting

Error & Status Messages on the Operation Panel.....	99
Printer Doesn't Print.....	102
Other Printing Problems	105
Removing Misfed Paper	108
When "Misfeed:A" Appears	108
When "Misfeed:B" Appears	109
When "Misfeed:C" Appears.....	110
When "Misfeed:D" Appears.....	111
When "Misfeed:R" Appears.....	113
When "Misfeed:U" Appears.....	115
When "Misfeed:Y" Appears	116
When "Misfeed:W" Appears	117
When "Misfeed:Z" Appears	119
Adding Staples	120
Finisher SR720	120
Finisher SR730	121
Removing Jammed Staples.....	123
Finisher SR720	123
Finisher SR730	124
Removing Paper Chips	126
Replacing the Toner Bottle.....	127

10. Using the Operation Panel

Menu Chart.....	129
Accessing the Main Menu.....	131
Making Printer Settings with the Operation Panel	132

- Proof Print Menu..... 133**
 - Proof Print Parameters..... 133
- Job Control Menu 134**
 - Job Control Parameters 134
- Host Interface Menu 141**
 - Host Interface Parameters 141
- Maintenance Menu 143**
 - Maintenance Parameters 143
- List Print Menu..... 144**
 - List Print Parameters..... 144
 - Printing the Test Page..... 144
- Language Menu 146**
- Printing with the Operation Panel..... 147**
 - Using the Proof Print 147
- Interpreting the Configuration Page 149**

11. Appendix

- Stapling Position and Punch Position..... 151**
- Memory Capacity and Paper Size 152**
- Moving and Transporting the Printer 153**
- Specifications 154**
 - Mainframe 154
 - Options..... 157
- INDEX..... 162**

1. Getting Started

Printer Features

This printer is designed especially for office work groups. It can be used for network environments and allows you to handle documents efficiently.

❖ High Performance

The new 45 print per minute (ppm) engine with PowerPC 603 100 MHz processor and built-in 1.7 GB hard disk drive (HDD) reduces waiting time for output.

❖ Versatile Paper Handling Options

This printer offers the flexibility of selecting from a variety of paper handling options.

The large input capacity, up to 3,550 sheets from six input sources, reduces the inconvenience of reloading paper.

The output devices free users from manually collating, stapling or punching documents.

❖ High Productivity

A high-speed engine combined with advanced paper handling features increases the productivity of users who need to print several sets of multiple page documents.

With the proof printing function, users can confirm that the output is correct before several sets of documents are printed out.

❖ Network Connectivity

This printer is network capable with a built-in 100BASE-TX card.

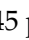

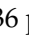

It is easy to connect this printer to your network with utility.

❖ Crisp Print Image Quality

This printer supports PCL 6 as well as Adobe PostScript Level 3.

With a real 600dpi-resolution engine(plus smoothing technology), crisp images can be printed.

❖ Major Specifications

Continuous Printing Speed	45 ppm (A4  , 8 1/2" × 11"  , simplex) 36 ppm (A4  , 8 1/2" × 11"  , duplex)
Engine Resolution	300 dpi, 400 dpi, 600 dpi
Printer Languages	PCL 5e, PCL 6 Adobe PostScript Level 3
Paper Input Capacity	500 sheets × 2 trays + 50 sheets bypass tray Max. 3,550 sheets with options
Paper Output Capacity	500 sheets Max. 4,900 sheets with options
Memory	8 MB Expandable to 72 MB
HDD	1.7 GB
Interface	100BASE-TX × 1 IEEE1284 × 1
Options	PS430 (paper bank, 500-sheet × 2 trays) Large Capacity Tray RT36 (1500-sheet Large Capacity Tray) Finisher SR720 (1000-sheet finisher) Finisher SR730 (3000-sheet finisher) Mailbox CS360 (9-bin mailbox) Hard Disk Drive Type 450 (1.6 GB HDD for font downloads)

Printer Drivers for Your Printer

Printing requires installation of a printer driver for your operating system. The following drivers are included in the CD-ROM that comes with this printer.

Operating system	Printer Language	PCL 5e	PCL 6	PostScript 3
Windows 95 ^{*1}		√	√	√
Windows 98 ^{*2}		√	√	√
Windows 3.1x ^{*3}		√	√	√
Windows NT 4.0 ^{*4}		√	√	√ ^{*6} ^{*7}
Macintosh ^{*5}				√ ^{*7}

^{*1} Microsoft Windows 95 operating system

^{*2} Microsoft Windows 98 operating system

^{*3} Microsoft Windows for Workgroups operating system Version 3.11

^{*4} Microsoft Windows NT Server network operating system Version 4.0, Microsoft Windows NT Workstation operating system Version 4.0 in a computer using a x86 processor.

^{*5} Required system is 7.1 or later operating system.

^{*6} Requires Service Pack 3 or later.

^{*7} Adobe PostScript Printer Driver and PostScript Printer Description (PPD) files are included in the CD-ROM.

❖ PCL printer drivers

Printer drivers allow the computer to communicate with the printer using a printer language. Two kinds of PCL printer drivers, PCL 6 and PCL 5e, are included in the CD-ROM that comes with this printer. We recommend the PCL 6 as your first choice. However, some of your applications might require installation of the PCL 5e printer driver. In this case, you can install PCL 5e in addition to the PCL 6.

⇒ P.51 *“Windows 95/98 - Installing the PCL 6/5e Printer Driver”*

⇒ P.52 *“Windows 3.1x - Installing the PCL 6/5e Printer Driver”*

⇒ P.53 *“Windows NT 4.0 - Installing the PCL 6/5e Printer Driver”*

❖ Adobe PostScript Printer Drivers and PPD files

Adobe PostScript printer drivers and the PPD files are included in the CD-ROM that comes with this printer. Adobe PostScript printer driver allows the computer to communicate with the printer using a printer language. The PPD files allow the printer driver to enable the printer specific functions.

⇒ P.59 *“Windows 95/98 - Installing the PostScript Printer Driver”*

⇒ P.60 *“Windows 3.1x - Installing the PostScript Printer Driver”*

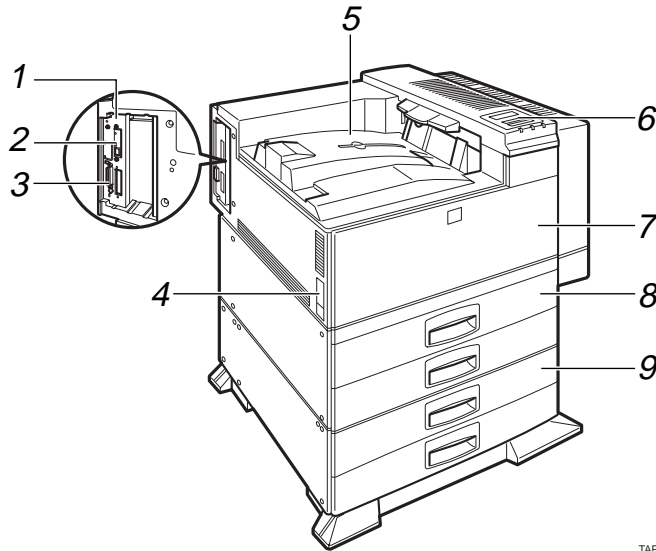
⇒ P.61 *“Windows NT 4.0 - Installing the PostScript Printer Driver”*

⇒ P.63 *“Macintosh - Installing the PostScript Printer Driver”*

Guide to the Printer

1

Exterior: Front View



TAPH174E

1. Printer Board

Remove this board when installing some options.

2. Network Cable Connector

Plug the network cable, which connects the printer to the network, into this socket.

3. Parallel Interface Connector

Plug the parallel cable that connects the printer to your computer into this connector.

4. Power Switch

Use this switch to turn the printer power on and off.

5. Output Tray

Printed output is stacked here with the print side face down.

6. Operation Panel

Contains keys for printing operation and a panel display that shows the printer status.

⇒ P.7 "Operation Panel"

7. Front Cover

Open this cover if you replace some parts or if a paper misfeed occurs.

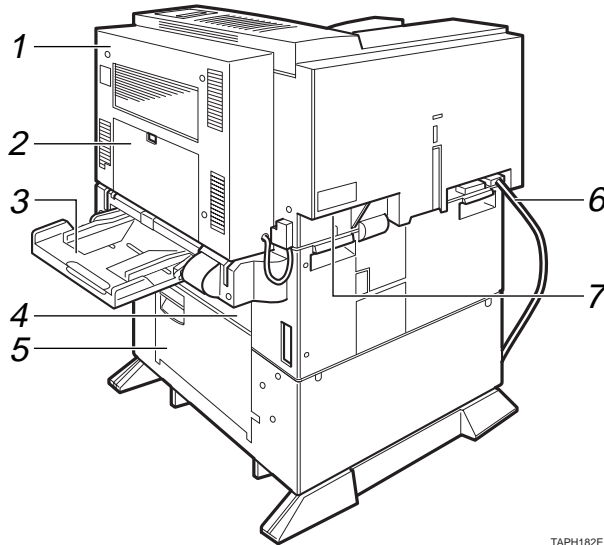
8. Paper Tray

Holds up to 500 sheets of plain paper. (80 g/m², 20 lb)

9. Optional Paper Bank PS430

Holds up to 500 sheets of plain paper. (80 g/m², 20 lb)

Exterior: Rear View



TAPH182E

1. Duplex Unit

Allows you to print onto both sides of the paper.

2. Duplex Unit Right Cover

Open this cover if you want to print onto both sides of the paper larger than B4 JIS and $8\frac{1}{2}'' \times 14''$.

3. Bypass Tray

Holds up to 50 sheets of plain paper. (80 g/m², 20 lb)

4. Upper Vertical Paper Feed Cover

Open this cover when accessing the inside of the printer.

If you install the optional Large Capacity Tray RT36, remove this cover.

5. Lower Vertical Paper Feed Cover

Open this cover when accessing the inside of the printer.

6. Power Cord

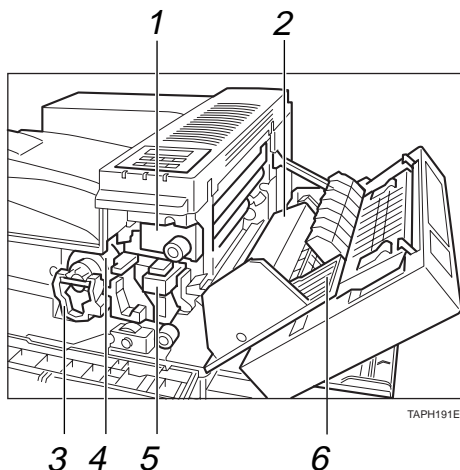
Plug this cord into a wall outlet.

7. Ventilator

Helps to keep components inside the printer from overheating.

Interior

1



1. Fusing Unit

When “Change Maint.Kit” appears on the panel display, replace this unit.

2. Transfer Unit

When “Change Maint.Kit” appears on the panel display, replace this unit.

3. Toner Lock Handle

Turn up the handle when replacing the toner.

4. Toner Holder

Slide this out when replacing the toner.

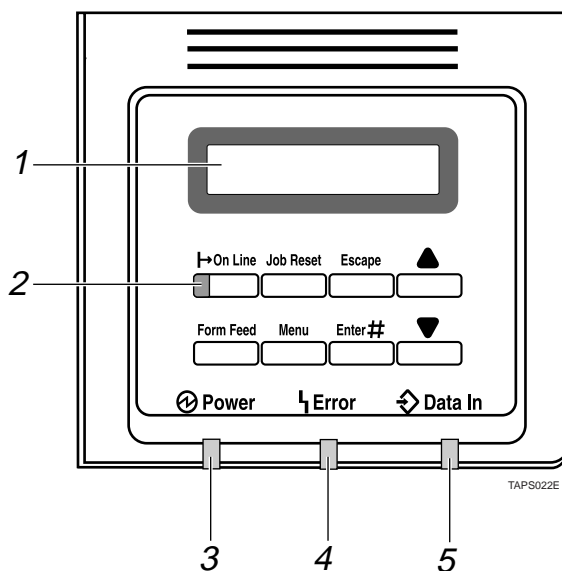
5. Development Unit

When “Change Maint.Kit” appears on the panel display, replace this unit.

6. Right Cover

Open this cover when accessing the inside of the printer.

Operation Panel



1. Panel Display

Shows the current status of the printer and error messages. ⇒ P.99 “Error & Status Messages on the Operation Panel”

2. On Line indicator

Tells you whether the printer is online or offline.

Stays on while the printer is online (a state in which the printer can receive data from the computer).

Stays off when the printer is offline (a state in which the printer can not receive data).

3. Power indicator

Stays on while the printer power is on. Stays off when the power is turned off or while the printer is in the Energy Saver mode.

4. Error indicator

Lights up whenever any printer error occurs. A message describing the cause of the error also appears on the panel display. ⇒ P.99 “Error & Status Messages on the Operation Panel”

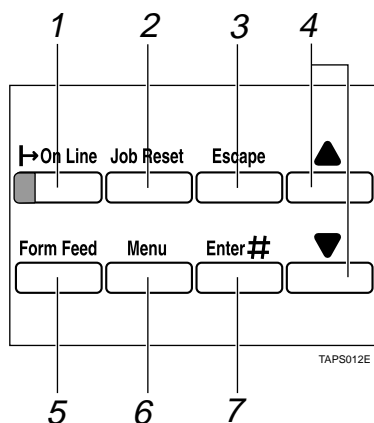
5. Data In indicator

Blinks while the printer is receiving data from a computer.

Stays on if there is data to be printed.

Keys

1



1. **[On Line]** key

Press this key to switch the printer online or offline. When the printer is online, the printer can receive data from the computer.

2. **[Job Reset]** key

When the printer is online, press this key to cancel any ongoing print jobs.

3. **[Escape]** key

Press this key to escape from the setup menu, and to return to the upper level without making any changes.

4. **[▲][▼]** keys

Use these keys to scroll through the selected items and to adjust values on the panel display when making settings. To change the value more quickly, hold these keys down.

5. **[Form Feed]** key

When the printer is offline, press this key to print out all the data left in the printer's input buffer.

6. **[Menu]** key

Press this key to make and check the current printer settings. To go back to the **[Main]** menu, press this key again.

7. **[Enter]** key

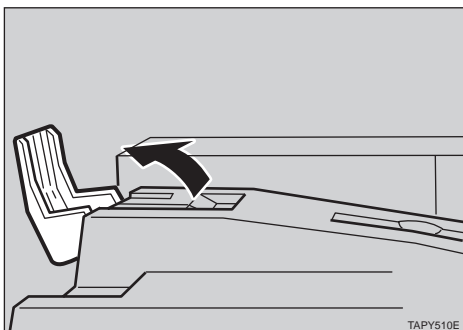
Press this key to choose menu selected on the panel display, or to go to a lower level.

Guides

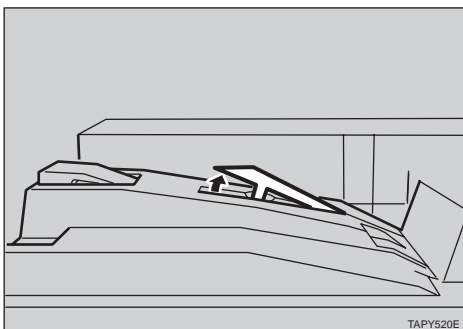
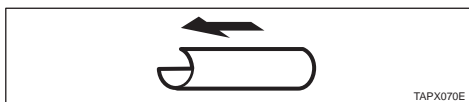
The guides of the output tray minimize curled printed output. Use these guides when you print on A3 size paper, 11" × 17" size paper, or thin paper.

❖ **To print onto A3 and 11" × 17" size paper**

Raise the end fence.



❖ **If either side of paper is curled, or if you print onto the thin paper**



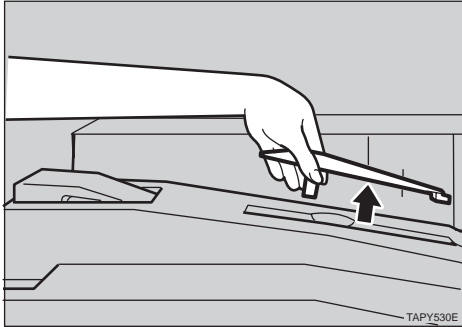
Raise the left end of the guide until it clicks.

❖ If the leading edge of paper is curled

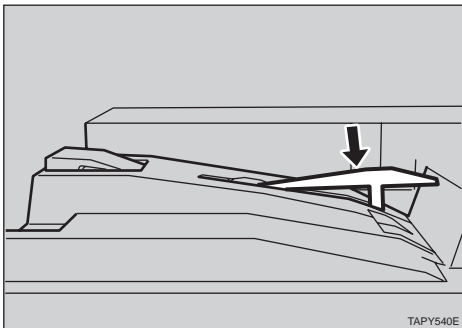


1

① Remove the guide.



② Reinstall the guide in the opposite direction as shown in the illustration.



 **Note**

❑ If you use the guides, output capacity is reduced.

2. Installing Options

⚠ CAUTION:

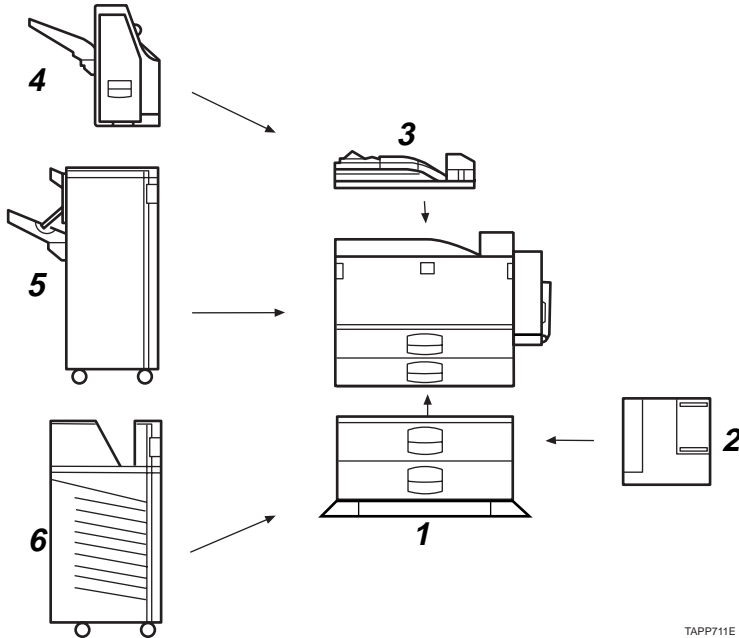
- *Before installing options, the machine should be turned off and unplugged for at least thirty minutes. Components inside the machine become very hot, and can cause a burn injury if touched.*
- *Before moving the machine, unplug the power cord from the outlet. If the cord is unplugged abruptly, it could become damaged. Damaged plugs or cords can cause an electrical or fire hazard.*
- *When lifting the machine, use the grips on both sides. The machine could break or cause an injury if dropped.*

See P.157 "Options" to confirm what kind of options are available.

Available Options

The following options can be installed to your printer.

❖ Exterior



1. Paper Bank PS430

⇒ P.16 “Installing the Paper Bank PS430”

2. Large Capacity Tray RT36

If you want to install the Large Capacity Tray RT36, contact your sales or service representative.

3. Bridge Unit Type 450

If you want to install the Bridge Unit Type 450, contact your sales or service representative.

4. Finisher SR720

If you want to install the Finisher SR720, contact your sales or service representative.

5. Finisher SR730

If you want to install the Finisher SR730, contact your sales or service representative.

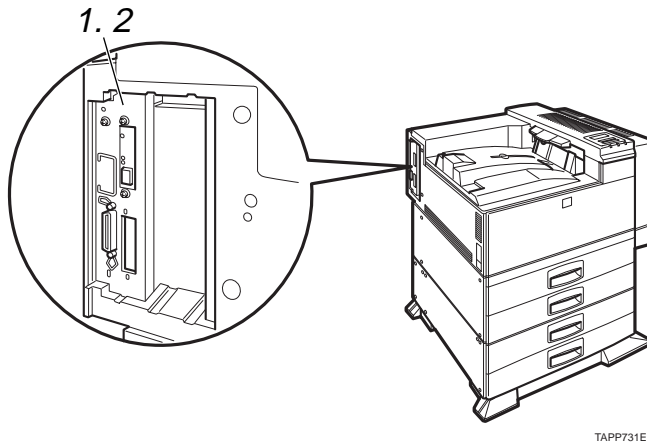
6. Mailbox CS360

If you want to install the Mailbox CS360, contact your sales or service representative.

Note

- The Bridge Unit Type 460 is required when you install both the Finisher SR730 and the Mailbox CS360.
- To use the punch function with the Finisher SR730, the Punch Kit Type 450 is required.

◆ Interior



1. Extended RAM Module

Install the memory unit into the slots in the printer board. ⇒ P.14 “Installing the Memory Unit”

Note

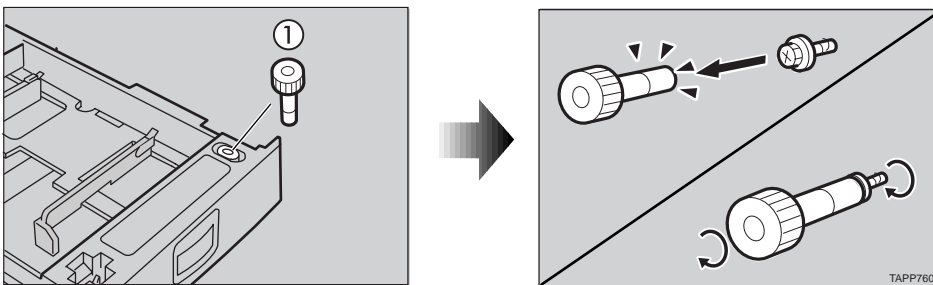
- When you install several different options, be sure to install the paper bank PS430 first.

2. Hard Disk Drive Type 450

Install the HDD into the slot in the printer board.

How to Use the Screwdriver

The screwdriver (①) is in the standard paper tray (Tray 1). It is used to install options. To prevent the screw from falling down, press the screwdriver onto the screw until it clicks into place.



Installing the Memory Unit

⚠ CAUTION:

- Before installing options, the machine should be turned off and unplugged for at least thirty minutes. Components inside the machine become very hot, and can cause a burn injury if touched.
- Before moving the machine, unplug the power cord from the outlet. If the cord is unplugged abruptly, it could become damaged. Damaged plugs or cords can cause an electrical or fire hazard.
- When lifting the machine, use the grips on both sides. The machine could break or cause an injury if dropped.

8 MB, 16 MB, and 32 MB memory units are available for this printer. Use the following types of memory unit.

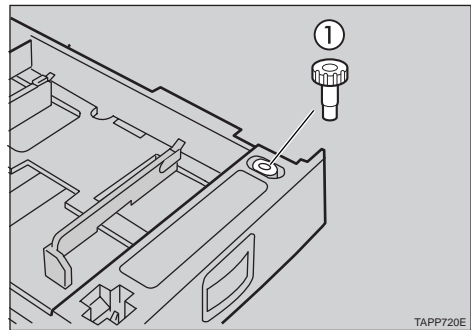
- ❖ **Module Type:**
SIMM (Single In-Line Memory Module)
- ❖ **Memory Type:**
EDO (Extended Data Output) DRAM
- ❖ **Number of Pins:**
72 pins
- ❖ **Access Time:**
Faster than 60 ns

⚡ Important

- ❑ The memory unit can be damaged by small amounts of static electricity. Before touching it, touch some metal to remove static electricity from you.

- ❑ This printer has two slots for SIMMs.
- ❑ The memory unit using 64 bit chips is not available.

- 1** Be sure to turn off the printer.
- 2** Pull out the first paper tray (Tray 1) and take the screwdriver (①) from the tray. Each of the screws that are to be removed requires this screwdriver.

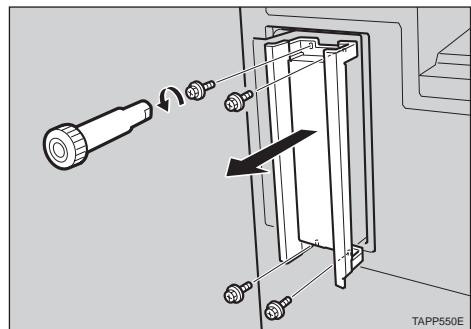


🔧 Note

- ❑ Be sure to return the screwdriver to the paper tray after using it.

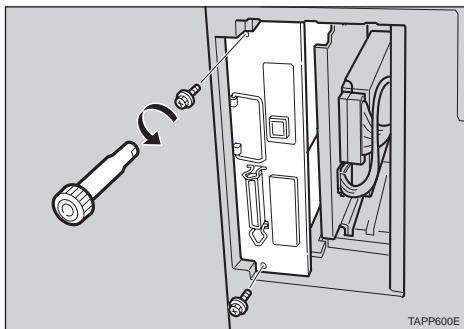
- 3** Remove the four screws, and then remove the cover.

You need the screws to lock the cover afterwards.

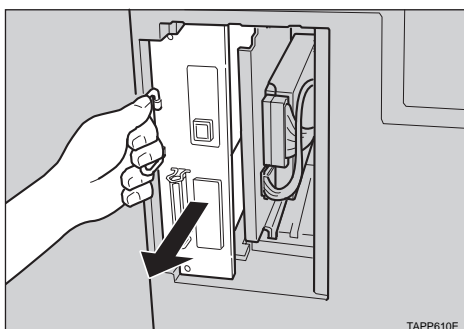


- 4** Remove the two screws locking the printer board.

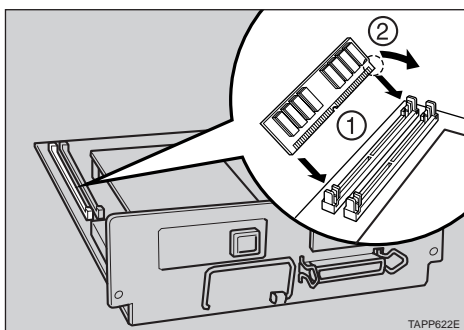
You need the screws to lock the printer board afterwards.



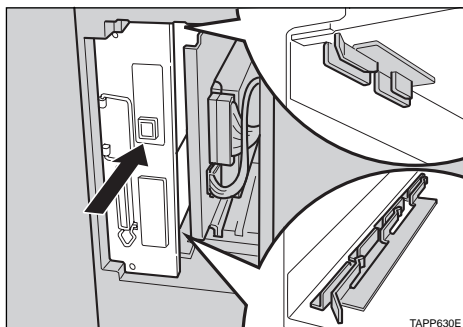
- 5** Hold the handle, and carefully pull out the printer board.



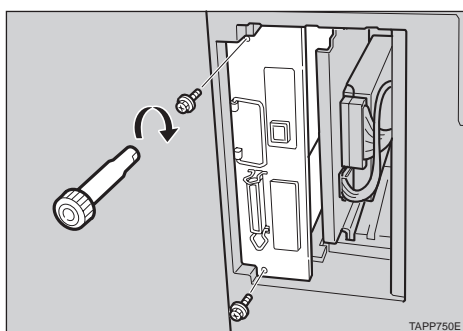
- 6** Confirm that the notch on the memory unit is on the right as shown in the illustration. Tilting the memory unit with the notch on the right, slide it into the slot as shown in the illustration (①). Then, move it upward until it clicks into place (②).



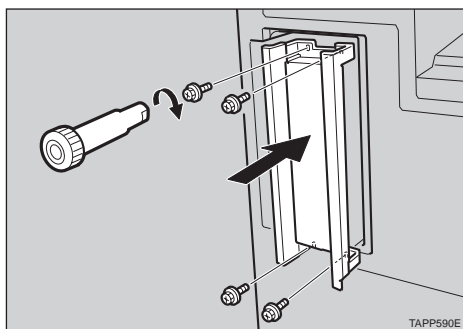
- 7** Align the printer board with the top and bottom rails in the printer, and then insert the printer board slowly until it clicks into place.



- 8** Lock the printer board with the two screws you removed in step 4.



- 9** Return the cover to its original position with the four screws you removed in step 3.



Note

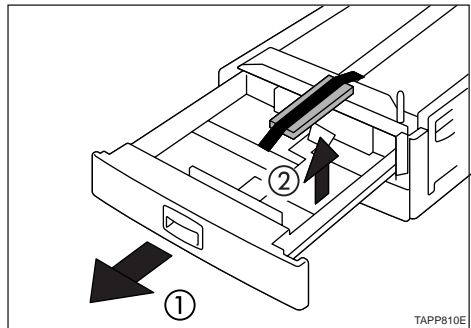
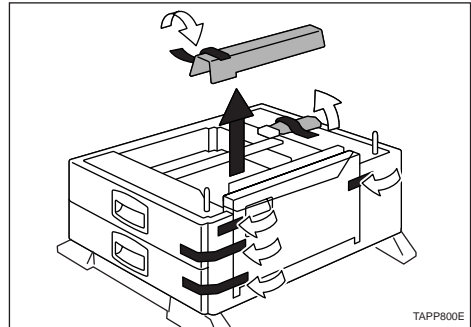
- Print a configuration page to confirm that the memory unit is properly installed. ⇒ P.144 "Printing the Test Page"

Installing the Paper Bank PS430

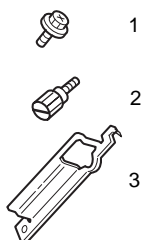
⚠ CAUTION:

- Before installing options, the machine should be turned off and unplugged for at least thirty minutes. Components inside the machine become very hot, and can cause a burn injury if touched.
- Before moving the machine, unplug the power cord from the outlet. If the cord is unplugged abruptly, it could become damaged. Damaged plugs or cords can cause an electrical or fire hazard.
- When lifting the machine, use the grips on both sides. The machine could break or cause an injury if dropped.

- 1** Confirm that the printer is turned off, and pull the plug out of the wall outlet.
- 2** Remove the tape that holds the paper bank, and remove the packing material.



- 3** Remove the screw, knob screw and lock plate from inside the packing material.



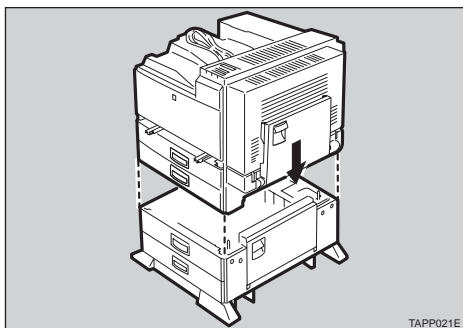
TAPD011E

1. Screw

2. Knob Screw (Finger type)

3. Lock Plate

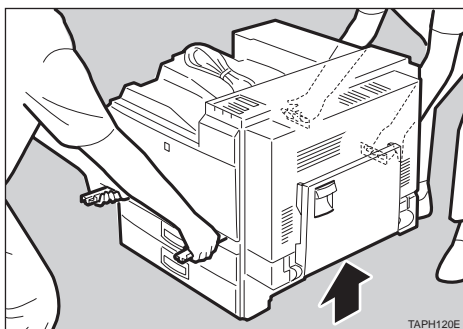
- 4** Align the printer over the paper bank, and then lower it gently onto the paper bank.



TAPP021E

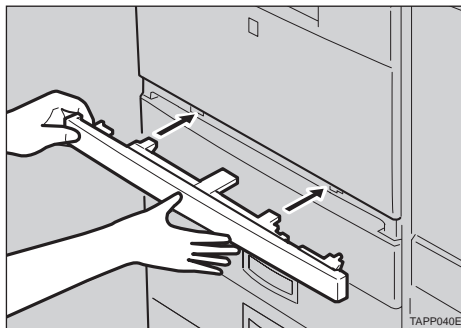
Important

- When lifting the printer, pull out the grips from the front side of the printer. Hold the front side grips, and hold the inset grips on the rear side.
- The printer should be held by at least two people.



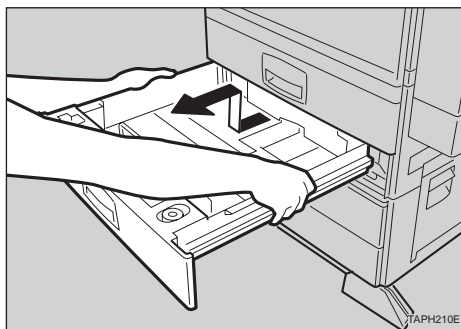
TAPH120E

- 5** Push the grips into the printer. Take out the cover inside the Tray 2 and attach it between the paper tray and the front cover.



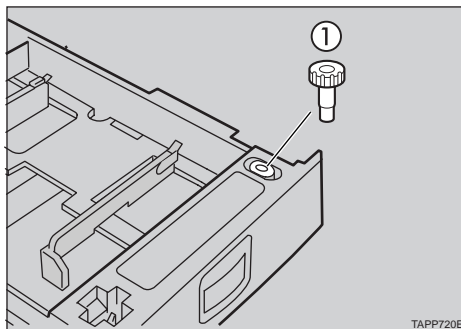
TAPP040E

- 6** Pull the second paper tray (Tray 2) up until it stops. After that, lift it slightly, then pull it out.



TAPH210E

- 7** Pull out the first paper tray (Tray 1), and take the screwdriver (1) from the tray.

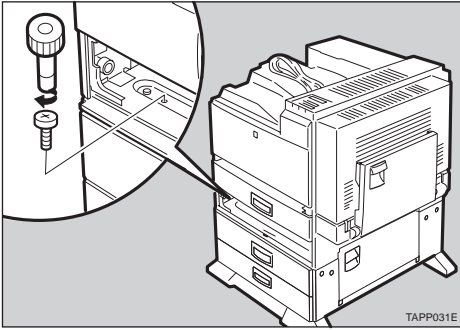


TAPP720E

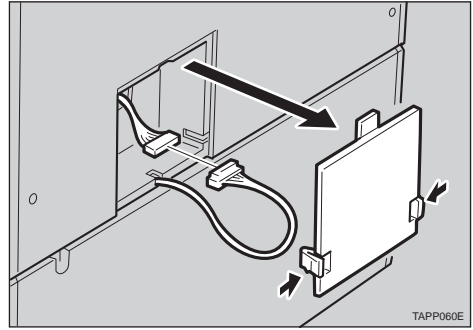
Note

- Be sure to return the screwdriver to the paper tray after using it.

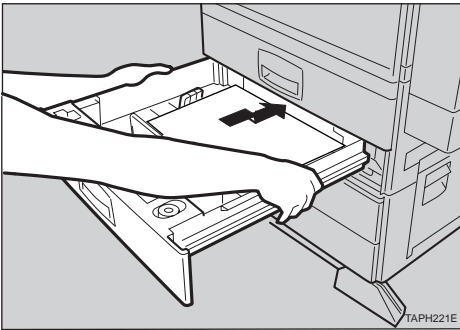
- 8** Lock the paper bank and the printer with the screw.



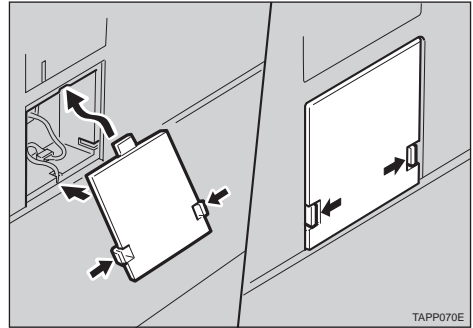
- 12** Open the connector cover, and attach the connector cables.



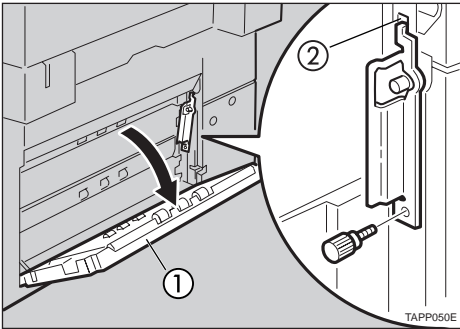
- 9** Replace the second paper tray (Tray 2) into the printer.



- 13** Close the connector cover.



- 10** Open the lower vertical paper feed cover on the right side of the paper bank (1). Hang the lock plate hook in the hole inside (2), and then fasten the plate with the knob screw using your fingers.



Note

- Print a configuration page to confirm that the paper bank is properly installed. If the paper bank is properly installed. ⇒ P.144 "Printing the Test Page"

- 11** Close the lower vertical paper feed cover.

3. Configuring the Printer for the Network

This section describes how to configure your printer for use as a network printer. The actual procedures may differ depending on your network environment. Use the appropriate procedures for your network environment.

If you use TCP/IP protocol to print, the printer must also be configured to use TCP/IP protocol. Follow the instructions in "Setting Up the IP Parameters" section of this manual to configure your printer to use TCP/IP protocol. After that, go to the section with instructions for the type of network you use.

If you use protocols other than TCP/IP, go to the section with instructions for the type of network you use.

The network configuration page is automatically printed when the printer is turned on. This feature can be disabled with the MAP utility or by connecting the Network Interface Board address with a browser. To disable this feature, open the **[Network Setting]** screen. Then click **[Configure Status Page]** and remove the check mark from **[Print Status Page on Startup]**.

The network configuration page contains the Network Interface Board status information. You need this information when you configure the printer for the network.

Reference

Netware ⇒ P.36 "NetWare Configuration"

Macintosh ⇒ P.48 "Macintosh Configuration"

Setting Up the IP Parameters

Configuring the Printer for the Network with the Operation Panel

This section describes instructions on configuring the printer for the network using the printer's operation panel. You can also set up the IP Parameters using the NIB Setup Tool.

⇒ P.24 "Installing the NIB Setup Tool"

1 Press **[Menu]**.

The following message appears on the panel display.

```
Main Menu:
Proof Print
```

2 Press **[▼]** or **[▲]** until the following message appears.

```
Main Menu:
Host Interface
```

3 Press **[Enter]**.

The following message appears on the panel display.

```
Host Interface:
Printer Lan&
```

4 Press **[▼]** or **[▲]** until the following message appears.

```
Host Interface:
Network Setup
```

5 Press **[Enter]**.

The following message appears on the panel display.

```
Network Setup:
I/O Timeout
```

6 Press **[▼]** or **[▲]** until the following message appears.

```
Network Setup:
IP Address
```

7 Press **[Enter]**.

Byte 1 of the current IP address appears on the panel display.

```
IP Address:
Byte 1=0
```

8 Use **[▲]** or **[▼]** to set the IP Address.

```
IP Address:
Byte 1=192
```

 **Note**

Press **[▲]** to increase and **[▼]** to decrease values.

9 Press **[Enter]**.

Byte 2 of the current IP address appears on the panel display.

```
IP Address:
Byte 2=0
```

 **Note**

You can return to the previous Byte by pressing **[Escape]**.

- ❑ If you press **[Escape]** when Byte 1 is on the panel display, the new IP address is canceled and you return to the previous panel display.

10 Repeat steps **8** and **9** to set the rest of the IP address.

After setting Byte 4, the new IP Address is displayed on the panel display for 2 seconds.

```
IP Address:
 192.168. 15. 16
```

The panel display returns to the previous menu automatically.

The following message appears on the panel display.

```
Network Setup:
 IP Address
```

11 Press **[▼]** or **[▲]** until the following message appears.

```
Network Setup:
 Subnet Mask
```

12 Press **[Enter]**.

Byte 1 of the current subnet mask appears on the panel display.

```
Subnet Mask:
 Byte 1=0
```

13 Set the subnet mask using the same procedure used to set the IP address.

After setting Byte 4, the new subnet mask is displayed on the panel display for 2 seconds.

```
Subnet Mask:
 255.255.255. 0
```

The panel display returns to the previous menu automatically.

The following message appears on the panel display.

```
Network Setup:
 Subnet Mask
```

14 Press **[▼]** or **[▲]** until the following message appears.

```
Network Setup:
 Gateway Address
```

15 Press **[Enter]**.

Byte 1 of the current gateway address is displayed on the panel display.

```
Gateway Address
 Byte 1=0
```

16 Set the gateway address using the same procedure used to set the IP address.

17 Press **[On Line]**.

After "Initializing..." is displayed on the panel display, the panel display returns to the ready condition.

```
Ready
```

Dynamic Host Configuration Protocol (DHCP)

The Dynamic Host Configuration Protocol (DHCP) provides a mechanism for delivering IP configuration parameters, including the IP address, Subnet mask and default gateway, to devices (hosts) on an IP network. A DHCP server manages the pool of available IP addresses and grants device requests for an IP address.

At power-up, the Network Interface Board broadcasts a DHCP request for an IP address. If a DHCP server is present the request might be processed, and an IP address might be returned to the Network Interface Board. Upon receipt of the IP address, the Network Interface Board resets, and prints a network configuration page. The network configuration page might list the new IP address (and Subnet mask and default gateway). Once an IP address has been assigned to the Network Interface Board, it might no longer broadcast DHCP requests.

Important

- Network Interface Board IP address assignment by DHCP works only if the Network Interface Board does not have an existing IP address.

The DHCP server leases a temporary IP address which expires after a period, or leases a permanent or unlimited lease which does not expire.

Devices that are granted a temporary lease are notified before the lease expires and asked if they would like to extend the lease. The Network Interface Board continues extending its lease indefinitely (unless prohibited by your DHCP server configuration) and thus maintain a consistent IP address.

Important

- If the Network Interface Board is not turned on or is not connected to the network during the period when the DHCP server is sending requests to extend the lease, the lease will not be extended. The DHCP server might cancel the lease and might assign the IP address to another device. Therefore, it is highly recommended to explicitly reserve an IP address for the Network Interface Board in your DHCP server configuration.

If you prefer not to use DHCP for IP address assignment, it can be disabled using the NIB Setup Tool. The NIB Setup Tool allows you to use a Wizard or a Property Sheet to configure the Network Interface Board. Use the Property Sheet to disable this feature. After you select the Network Interface Board with the NIB Setup Tool, click **[Configure]** and then click the **[TCP/IP]** tab. If you prefer not to use DHCP, select **[Specify an IP Address]** and set the IP address, the subnet mask and the default gateway address.

Getting Ready for Software Installation

This printer comes with two CD-ROMs. One is "Print Server Software and Documentation", and the other is "Printer Drivers and Utilities". These CD-ROMs contain support programs for the installation and configuration of Network Interface Board.

You can select any of the programs listed in the Configuration Programs.

Configuration Programs

The "Print Server Software and Documentation" CD-ROM includes the following utilities.

- ❖ **MAP**
Web-based configuration utility
- ❖ **IPX Peer-to-Peer**
IPX Peer-to-Peer printing software
- ❖ **IP Peer-to-Peer**
IP Peer-to-Peer printing software
- ❖ **BootP Lite**
Used to configure the IP parameters of the Network Interface Board
- ❖ **NWSetup**
NetWare Print Service Configuration

The five utilities are included in the "Print Server Software and Documentation" CD-ROM, but you need this CD-ROM only if you use "IPX Peer-to-Peer" or "IP Peer-to-Peer" printing.

Although you can use the "MAP", "BootP Lite", or "NWSetup" utilities in the "Print Server Software and Documentation" CD-ROM, it is easier to use the NIB Setup Tool included in the "Printer Drivers and Utilities" CD-ROM.

To use "MAP", "BootP Lite", or "NWSetup" from the "Print Server Software and Documentation" CD-ROM, see the "Owner's Manual" (NIB 450-E Manual) in this CD-ROM for instructions.

Installing the NIB Setup Tool

This section describes how to install the PRINTER MANAGER FOR ADMINISTRATOR, and how to run the NIB Setup Tool.

Limitation

- The NIB Setup Tool is supported to work with the following operation systems.
 - Microsoft Windows 95/98
 - Microsoft Windows NT 4.0

3

Installing the PRINTER MANAGER FOR ADMINISTRATOR

Follow these steps to install the PRINTER MANAGER FOR ADMINISTRATOR.

Preparation

You should install the PRINTER MANAGER FOR ADMINISTRATOR on your computer. If you install the PRINTER MANAGER FOR ADMINISTRATOR from a file server or run it via the network, the PRINTER MANAGER FOR ADMINISTRATOR might not work correctly.

Be sure to close all applications before starting the installation procedure.

- 1** Close all the applications that are currently running.
- 2** Insert the CD-ROM labeled “Printer Drivers and Utilities” into your computer's CD-ROM drive.

If the setup menu starts automatically, follow the instructions on the screen. Otherwise, continue to step **3**.
- 3** Open [Control Panel], and double-click the [Add/Remove Programs] icon.
- 4** In the [Install/Uninstall] tab, click [Install].
- 5** Click [Next >].
- 6** In the [command line for installation program] box, type the name of the CD-ROM drive followed by “PRINTMAN\ADMIN\SETUP.EXE” (do not include the quotation marks) and then click [Finish].

Note

- An example would be “D:\PRINTMAN\ADMIN\SETUP.EXE” when the CD-ROM drive name is “D”.

- 7** From the [Choose Setup Language] pop-up menu, select the language you use.
- 8** In the [Welcome] dialog box, click [Next >].

9 The Software License Agreement appears.

After reading through all of the contents by clicking **[PageDown]**, click **[Yes]** to agree with the License Agreement.

10 Select a folder to install it in, and then click **[Next >]**.

If you would like to change the displayed folder, click **[Browse]** to select another one.

The installation program starts.

After a confirmation dialog box appears, the installation program is complete.

Running the NIB Setup Tool

1 Click **[Start]**, point to **[Programs]**, and then click **[NIB Setup Tool]** in the **[PRINTER MANAGER FOR ADMINISTRATOR]** program folder.

Windows 95/98 Configuration

Setting Up Peer-to-Peer Printing

The peer-to-peer printing software that is included in the CD-ROM labeled “Print Server Software and Documentation” allows Windows 95/98 PCs to communicate directly with network attached printers. A network server, such as NetWare or Windows NT, is not required for peer-to-peer printing.

There are two types of peer-to-peer printing. You can select “IP Peer-to-Peer” or “IPX Peer-to-Peer” according to your network environment.

The peer-to-peer printing software must be installed on each PC that uses peer-to-peer printing. Once peer-to-peer printing software is installed, all Network Interface Boards on the network automatically appear in the list of available printer ports.

The peer-to-peer printing software can also be used in networks where servers are present; however, the server print services are often utilized instead. Server based print services offer centralized printing management and spooling and do not require software (other than the printer driver) to be installed on each PC.

If you use the printer in a network where servers are present, select either peer-to-peer printing or the server based print service.

Reference

For information on setting IP parameters, see P.20 “Setting Up the IP Parameters”.

Installing IP Peer-to-Peer

The TCP/IP protocol is required for IP Peer-to-Peer printing. Confirm that the TCP/IP protocol is installed, if not, install it before starting the following procedure.

Follow these steps to install IP Peer-to-Peer.

Important

- Confirm that the printer power is turned on before starting the following procedure.

- 1** Insert the CD-ROM labeled “Print Server Software and Documentation” in the CD-ROM drive.

The main screen appears.

Note

- If Adobe Acrobat Reader 3.0 is not installed, click **[Install Adobe Acrobat Reader 3.0]**.

2 Click **[CD ROM Contents]**.

The "Introduction" page appears.

3 Click **[Installation/Configuration Programs]**.

The "Configuration Programs" page appears.

4 Click **[Windows 95/98 & NT 4.x IP Peer-to-Peer Printing]**.

The "Windows 95/98 and NT 4.x IP Peer-to-Peer Printing" page appears.
This page describes the functions of this utility.

5 At the bottom of the page, click the blue word **[here]** to begin installing.

A dialog box appears asking if the "Setup.exe" program should be started.

6 Click **[Yes]** to continue.

The **[Welcome]** dialog box appears.

7 Click **[Next]** to continue.

The **[Installation Notes]** dialog box appears.

8 Click **[Yes]** to continue installation.

The **[Choose Destination Directory]** dialog box appears.

9 Click **[Browse]** to set a different folder.

The default installation folder is C:\PROGRAM FILES\IP-P2P.

10 Click **[Next]** to continue.

The **[Select Program Folder]** dialog box appears.

This allows you to set the name of the folder that contains the shortcut links inside the Program Folder.

11 Type the name that you wish to see in "Program Folder:" and click **[Next]**.

The files are then copied to your computer in the specified directories.

The **[Information]** dialog box appears.

12 Click **[OK]** to complete the installation. **Reference**

For more information on installing IP Peer-to-Peer, see "Owner's Manual" (NIB 450-E Manual) in the CD-ROM labeled "Print Server Software and Documentation".

For manual installation

Follow these steps to install the software on your operating system (Windows 95/98).

- ① Insert the CD-ROM in the CD-ROM drive.
- ② Close all the applications that are currently running.
- ③ Click **[Start]** on the task bar, and click **[Run]**.
- ④ Type <Drive>:\IP-P2P\SETUP.EXE (where <Drive> is your CD-ROM drive name).
- ⑤ Click **[OK]**.
The **[Welcome]** dialog box appears.

The remaining steps are identical to **3-11** in the preceding procedure. ⇒ P.26 “Installing IP Peer-to-Peer”

Installing IPX Peer-to-Peer

The IPX protocol is required for IPX Peer-to-Peer printing. Confirm that the IPX protocol is installed, if not, install it before starting the following procedure.

Follow these steps to install IPX Peer-to-Peer.

- 1** Insert the CD-ROM labeled “Print Server Software and Documentation” in the CD-ROM drive.

The main screen appears.

Note

- If Adobe Acrobat Reader 3.0 is not installed, click **[Install Adobe Acrobat Reader 3.0]**.

- 2** Click **[CD ROM Contents]**.

The “Introduction” page appears.

- 3** Click **[Installation/Configuration Programs]**.

The “Configuration Programs” page appears.

- 4** Click **[Windows 95/98 & NT 4.x IPX Peer-to-Peer Printing]**.

The “Windows 95 and NT 4.x IPX Peer-to-Peer Printing” page appears.

This page describes the functions of this utility.

- 5** At the bottom of the page, click the blue word **[here]** to begin installing.

A dialog box appears asking if the “Setup.exe” program should be started.

6 Click **[Yes]** to continue.

The **[Welcome]** dialog box appears.

7 Click **[Next]** to continue.

The **[Installation Notes]** dialog box appears.

8 Click **[Yes]** to continue installation.

The files are then copied to your computer in the specified directories.

The **[Installation Complete]** dialog box appears.

9 Click **[Finish]** to complete the installation.

3

**For manual installation**

Follow these steps to install the software on your operating system (Windows 95/98).

- ① Insert the CD-ROM in the CD-ROM drive.
- ② Close all the applications that are currently running.
- ③ Click **[Start]** on the task bar, and click **[Run]**.
- ④ Type <Drive>:\IPX-P2P\SETUP.EXE (where <Drive> is your CD-ROM drive name).
- ⑤ Click **[OK]**.

The **[Welcome]** dialog box appears.

The remaining steps are identical to **6** - **8** in the preceding procedure. ⇒ P.28 *“Installing IPX Peer-to-Peer”*

Selecting the Printer Port

The peer-to-peer printing software should be installed on each Windows 95/98 PC that will use peer-to-peer printing services.

1 Install the printer drivers.

If the printer drivers have already been installed, you can proceed to the next step.

Important

- If you use IPX Peer-to-Peer printing, confirm that the printer power is turned on before continuing the following steps.

Reference

For more information on the printer drivers, see P.51 *“Installing the PCL 6/5e Printer Driver”* or P.59 *“Installing the PostScript Printer Driver”*.

2 Click **[Start]** on the task bar, point to **[Settings]**, and then click **[Printers]**.

The **[Printers]** window appears.

3 Click the icon of the printer you want to set for the peer-to-peer printing.

4 On the **[File]** menu, click **[Properties]**.

The Printer Properties appears.

5 Click the **[Details]** tab.

6 From the **[Print to the following port:]** list box, select the port of the printer you want to use for peer-to-peer printing.

- If you use IP Peer-to-Peer printing, select the IP address of the printer. If you do not find the IP address of the printer, the printer is not in your local subnet. Then you need to configure IP Peer-to-Peer port manually as described in the "Owner's Manual" (NIB 450-E Manual) in the CD-ROM labeled "Print Server Software and Documentation".
- If you use IPX Peer-to-Peer printing, select the printer name. The printer name is shown in "Peer-to-Peer Connection Information" on the network configuration page. The factory default of the printer name is RDP_ followed by the 6 digit serial number.

7 Click **[OK]**.

Windows NT 4.0 Configuration

Windows NT 4.0 Configuration

There are several options for setting up printing in a Windows NT environment.

- If a NetWare server is present, NetWare print services might be used by following the NetWare Configuration instructions in this guide.
- Peer-to-peer print services can be used by following the instructions in this section.
- LPR print services can be used via TCP/IP by following the instructions in this section.

Windows NT printing is very flexible. It is possible to configure the individual Windows NT or Windows 95/98 workstations to print using a different protocol than the Windows NT server. For example, a Windows NT server could be configured to print to a Network Interface Board via TCP/IP using the instructions in this section. The Network Interface Board could then be designated as shared on the NT server, allowing workstations to print via the NT server using a different protocol (such as NetBEUI).

The optimum Windows NT printing configuration depends upon the particular environment and user as well as administrator experience and preferences. Generally, the LPR printing over TCP/IP covered in the following instructions is the best choice for environments where TCP/IP is already in use.

If you do peer-to-peer printing in the Windows NT environments, it is strongly recommended that you use TCP/IP Peer-to-Peer Software.

Setting Up Peer-to-Peer Printing

The peer-to-peer printing software that is included with the Network Interface Board allows Windows NT 4.0 PCs to communicate directly with network attached printers. A network server, such as NetWare or Windows NT, is not required for peer-to-peer printing.

The peer-to-peer printing software must be installed on each PC that might use peer-to-peer printing. Once peer-to-peer printing software is installed, all Network Interface Boards on the network automatically appear in the list of available printer ports.

The peer-to-peer printing software can also be used in networks where servers are present; however, often the server print services are utilized instead. Server based print services offer centralized printing management and spooling and do not require software (other than the printer driver) to be installed on each PC.

Reference

For information on setting IP parameters, see P.20 *“Configuring the Printer for the Network with the Operation Panel”*.

Installing IP Peer-to-Peer

The TCP/IP protocol is required for IP Peer-to-Peer printing. Confirm that the TCP/IP protocol is installed, if not, install it before starting the following procedure.

Follow these steps to install IP Peer-to-Peer.

Important

- Confirm that the printer power is turned on before starting the following procedure.

1 Insert the CD-ROM labeled “Print Server Software and Documentation” in the CD-ROM drive.

The main screen appears.

Note

- If Adobe Acrobat Reader 3.0 is not installed, click **[Install Adobe Acrobat Reader 3.0]**.

2 Click **[CD ROM Contents]**.

The “Introduction” page appears.

3 Click **[Installation/Configuration Programs]**.

The “Configuration Programs” page appears.

4 Click **[Windows 95/98 & NT 4.x IP Peer-to-Peer Printing]**.

The “Windows 95/98 and NT 4.x IP Peer-to-Peer Printing” page appears.

This screen describes the functions of this utility.

5 At the bottom of the page, click the blue word **[here]** to begin installing.

A dialog box appears asking if the “Setup.exe” program should be started.

6 Click **[Yes]** to continue.

The **[Welcome]** dialog box appears.

7 Click **[Next]** to continue.

The **[Installation Notes]** dialog box appears.

8 Click **[Yes]** to continue installation.

The **[Choose Destination Directory]** dialog box appears.

9 Click **[Browse]** to set a different folder.

The default installation folder is C:\PROGRAM FILES\IP-P2P.

10 Click **[Next]** to continue.

The **[Select Program Folder]** dialog box appears.

This allows you to set the name of the folder that contains the shortcut links inside the Program Folder.

11 Type the name that you wish to see in the **Program Folder** and click **[Next]**.

The files are then copied to your computer in the specified directories.

The **[Information]** dialog box appears.

12 Click **[OK]** to complete the installation.

For manual installation

Follow these steps to install the software on your operating system (Windows NT 4.0).

- ① Insert the CD-ROM in the CD-ROM drive.
- ② Close all the applications that are currently running.
- ③ Click **[Start]** on the task bar, and click **[Run]**.
- ④ Type <Drive>:\IP-P2P\SETUP.EXE (where <Drive> is your CD-ROM drive name).
- ⑤ Click **[OK]**.
The **[Welcome]** dialog box appears.

The remaining steps are identical to **6-11** in the preceding procedure. ⇒ P.32 "*Installing IP Peer-to-Peer*"

Selecting the Printer Port

The IP Peer-to- Peer printing software should be installed on each Windows NT 4.0 PC that uses peer-to-peer printing services.

Important

- The IP Peer-to-Peer printing software must be installed before selecting the printer port.

1 Close all the applications that are currently running.

2 Insert the CD-ROM labeled "Printer Drivers and Utilities" in the CD-ROM drive.

If the setup menu starts automatically, you can proceed to the next step. If not, see P.51 "*Installing the PCL 6/5e Printer Driver*" to start the installation and then proceed to the next step.

3 The **[Printer Installation]** dialog box appears.

4 From the **[Port]** list, select the IP address of the printer you want to set up, and click **[Next >]**.

5 Follow the instructions on the screen to finish the installation of the printer driver.

Setting Up LPR Printing

Follow these steps to set up LPR printing.

Note

- In the following instructions, some field or dialog box names might vary depending on the NT service pack in use.

1 Configure the IP parameters on the Network Interface Board using the operation panel.

Reference

For information on setting IP parameters, see P.20 “Setting Up the IP Parameters”.

2 Click [Start] on the task bar, point to [Settings], and then click [Control Panel].

3 Double-click [Network] and select the [Protocols] tab to confirm that the TCP/IP protocol is installed.

If TCP/IP protocol is not in the list of Network Protocols, click [Add] to install it.

4 Select the [Services] tab.

If Microsoft TCP/IP Printing is not on the list of Network Services, click [Add] to install it.

5 Click [Close] when all protocols and services have been added.

If the TCP/IP protocol has just been added, set the IP address and other TCP/IP parameters.

The new protocols and services will be available after the system is restarted.

Important

- If the printer driver has not already been installed, install it before continuing.

6 Click [Start] on the task bar, point to [Settings], and then click [Printers].

7 Right click the appropriate printer and select [Properties].

8 On the [Ports] tab, click [Add Port].

9 Double-click [LPR Port] in the list of available printer ports.

10 In the [Name or address of server providing lpd:] field, type the IP address of the Network Interface Board (that was assigned with the operation panel).

11 In the [Name of printer or print queue on that server:] field, type “PORT1” (quotation marks are not included) in capital letters and click [OK].

12 Click **[Close]** to close the **[Printer Ports]** dialog box.

The Network Interface Board IP address is now displayed and currently selected on the list of ports.

13 If the printer is to be shared, click the **[Sharing]** tab, select **Shared** and type the Share name.

14 Click **[OK]** when finished.

NetWare Configuration

Quick Setup Using the NIB Setup Tool Wizard

Using the NIB Setup Tool, you can easily set up a NetWare printing environment.

Reference

For more information on setting up the NIB Setup Tool, see P.24 “*Installing the NIB Setup Tool*”.

You can select **[Wizard]** or **[Property Sheet]** as an installation method.

When you configure the Network Interface Board for the first time, use the Wizard method.

If you want to use the Property Sheet method, see P.38 “*NetWare 3.x - Advanced Settings*” and P.41 “*NetWare 4.x - Advanced Settings*”.

Note

- This section assumes that NetWare is functional and that the necessary environment for the NetWare Print Services is available.
- If you configure the Network Interface Board in a NetWare environment using the NIB Setup Tool, you should install the client software released from Novell in the following cases.
 - Windows 95/98 in NDS mode configuration
 - Windows NT 4.0 in NDS mode configuration
 - Windows NT 4.0 in Bindary mode configuration

1 Log in to the Netware file server or the NDS tree as an Admin or Admin equivalent.

2 Run the NIB Setup Tool.

Reference

⇒ P.25 “*Running the NIB Setup Tool*”

3 Click **[Wizard]** and click **[OK]**.

The **[Network board list]** dialog box of the Network Interface Board appears.

4 Click **[IPX protocol]**.

5 Select the IPX address of the Network Interface Board you are configuring by clicking it, and click **[Next >]**.

Note

- If you don't know which Network Interface Board you are configuring, print a network configuration page to confirm the MAC address (Network address).

6 Confirm that the MAC address and IPX address are correct, and click [Finish].

7 Type the print server name into the [Device Name] box, and click [Next >].

The factory default is RDP_ followed by the 6 digit serial number. We recommend that you change it to something that is easier to remember or something based on the structure of your network.

8 In a dialog box for selecting a network environment, check a box for [NetWare] and remove the check mark for the [TCP/IP].

9 Click [Next >].

A dialog box for configuring the NetWare environment appears.

10 Select [Bindery] when printing under the Bindery mode, or select [NDS] when printing under the NDS mode.

When you are using NetWare version 4.x, you should select [NDS].

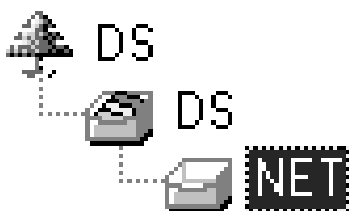
11 If you selected [Bindery], type into the [File Server Name:] box the name of the file server in which a print server is to be created.

Clicking [Browse], you can select a file server among those listed in the [Browse] dialog box.

12 If you selected [NDS], type into the [Tree:] box the name of the NDS tree in which the print server is created, and type the context into the [Context:] box.

Clicking [Browse], you can select a NDS tree and a NDS context among those listed in the [Browse] dialog boxes.

As a context, object names are typed from a lower object and divided by a period. For example, if you want to create a print server into NET under DS, type "NET.DS".



13 Click [Next >].

14 Type the name of the printer into the [Printer Name] box, and the name of the print queue into the [Print Queue Name] box.

The factory default for Printer Name is "Print Server Name" followed by "_1" and that for Print Queue Name is "Print Server Name" followed by "_Q" (quotation marks are not included). You can change them if necessary.

15 If you have selected the NDS mode, type the volume of the print queue into the [Queue Volume] box.

Clicking [Browse], you can select one of those shown in the [Browse] dialog box.

16 Click [Next >].

A dialog box to confirm the printing environment appears.

17 After confirming the environment, click [Next >].

If you want to change the settings, click [< Back] and make the settings again.

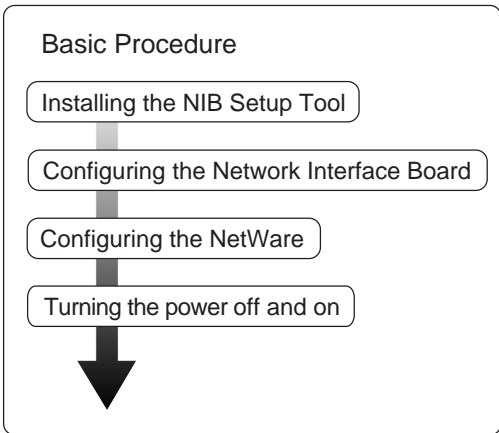
Clicking [Next >], the NIB Setup Tool automatically creates the Print Server, the Printer, and the Print Queue in the NetWare network.

18 After a confirmation dialog box appears, select [Quit] and click [Finish] to exit the NIB Setup Tool.

3

NetWare 3.x - Advanced Settings

This section describes how to configure your printer to use as a print server in the NetWare 3.x environment.



Preparation

The following procedures use the Property Sheet method in configuring the Network Interface Board. If you configure the Network Interface Board as a NetWare print server for the first time, we recommend you use the Wizard method. For more information, see P.36 "Quick Setup Using the NIB Setup Tool Wizard".

Note

This section assumes NetWare is functional and that the necessary environment for the NetWare Print Service is available.

Setting Up as Print Server

1 Log in to the file server as a Supervisor or a Supervisor equivalent.

2 Run the NIB Setup Tool.

 **Reference**

⇒ P.25 “Running the NIB Setup Tool”

3 Click **[Property Sheet]** and click **[OK]**.

The **[Browse]** dialog box of the Network Interface Board appears.

4 Click **[IPX protocol]**.

5 Select the IPX address of the Network Interface Board which is to be configured by clicking it, and then click **[Next >]**.

 **Note**

If you do not know which Network Interface Board you are configuring, see the network configuration page to confirm the MAC address (Network Address).

6 Confirm that the MAC address and IPX address are correct, and click **[Finish]**.

The **[NIB Setup Tool]** window appears.

7 Click **[Configure]**.

The property sheet appears.

8 Click the **[General]** tab, and type the name of the print server into the **[Device Name]** box.

9 Click the **[NetWare]** tab, and make the following settings.

1 Select **[Bindery]**.

2 In the **[File Server Name:]** box, type the name of the file server in which a print server is to be created.

Click **[Browse]** to select a file server among those listed in the **[Browse]** dialog box.

3 Click **[OK]** to close the property sheet.

4 After a confirmation dialog box appears, click **[OK]**.

10 On the **[NIB]** menu, click **[Exit]** to exit the NIB Setup Tool.

11 Type “PCONSOLE” from the command prompt.

```
F:> PCONSOLE
```

12 Create a print queue as follows. **Note**

If you use a currently defined print queue, proceed to the step 13.

- 1 From the [Available Options] menu, select [Print Queue Information] and press [ENTER].
- 2 Press the [INSERT] key and type a print queue name.
- 3 Press the [ESC] key to return to the [Available Options] menu.

13 Create a printer as follows.

- 1 From the [Available Options] menu, select [Print Server Information] and press [ENTER].
- 2 To create a new print server, press the [INSERT] key and type a print server name.

If you use an currently defined print server, select one of the print servers shown in the [Print Server] list.

 **Important**

Use the same name as that specified in the NIB Setup Tool. (Step 8).

- 3 From the [Print Server Information] menu, select the [Print Server Configuration].
- 4 From the [Print Server Configuration menu], select [Printer Configuration].
- 5 Select the printer which is indicated as "Not Installed".
- 6 If you change the name of the printer, type a new name.

A name "Printer x" is assigned to the printer. "x" stands for the number of the selected printer.

- 7 As Type, select [Remote Other/Unkown].

The IRQ, Buffer size, Starting form, and Queue service mode are automatically configured.

- 8 Press the [ESC] key, and click [Yes] in the confirmation dialog box.
- 9 Press the [ESC] key to return to the [Print Server Configuration] menu.

14 Assign print queues to the created printer as follows.

- 1 From the [Print Server Configuration] menu, select [Queues Serviced By Printer].
- 2 Select the printer created in step 13.
- 3 Press the [INSERT] key to select a queue serviced by the printer.

 **Note**

You can select more than one queue at a time.

- 4 Follow the instructions on the screen to make other necessary settings.

When you have finished the previous steps, confirm that the queues are assigned.

15 Press the **[ESC]** key until “Exit?” appears, and select **[Yes]** to exit PCONSOLE.

16 Turn the printer power off and on.

 **Note**

- To confirm that the printer is configured correctly, type as follows from the command prompt.

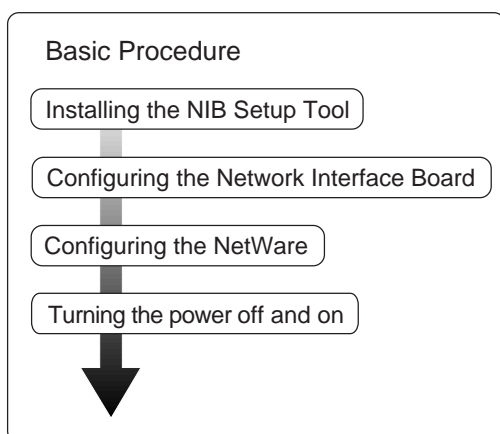
F:> USERLIST

- If the printer works as configured, the name of the print server appears as an attached user.

3

NetWare 4.x - Advanced Settings

This section describes how to configure your printer to use as a print server in the NetWare 4.x environment.



 **Preparation**

The following procedures use the Property Sheet method in configuring the Network Interface Board. If you configure the Network Interface Board as a NetWare print server for the first time, we recommend you use the Wizard method. For more information, see P.36 “*Quick Setup Using the NIB Setup Tool Wizard*”.

 **Note**

- This section assumes NetWare is functional and that the necessary environment for the NetWare Print Service is available.
- You should install the client software released from Novell on the Windows before running the NIB Setup Tool for configuring in NDS mode or using Windows NT 4.0.

Setting Up as Print Server

Important

- You can set up the print server using the NDS or Bindery mode in NetWare 4.x. The following procedure is for setting up the print server using the NDS mode in NetWare 4.1. When you set up the print server using the Bindery mode, use the NIB Setup Tool Wizard. ⇒ P.36 “Quick Setup Using the NIB Setup Tool Wizard”.

1 Log in to the file server as an Admin or an Admin equivalent.

2 Run the NIB Setup Tool.

Reference

⇒ P.25 “Running the NIB Setup Tool”

3 Click [Property Sheet] and click [OK].

The [Browse] dialog box of the Network Interface Board appears.

4 Click [IPX protocol].

5 Select the IPX address of the Network Interface Board which is to be configured by clicking it, and click [Next >].

Note

- If you do not know which Network Interface Board you are configuring, see the network configuration page to confirm the MAC address (Network Address).

6 Confirm that the MAC address and IPX address are correct, and click [Finish].

The [NIB Setup Tool] window appears.

7 Click [Configure].

The property sheet appears.

8 Click the [General] tab, and type the name of the print server into the [Device Name] box.

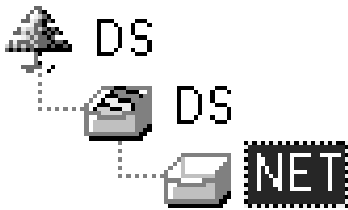
9 Click the [NetWare] tab, and make the following settings.

- 1** Select [NDS].

- 2 Type into the [Tree:] box the name of the NDS tree in which the print server is created, and type the context into the [Context:] box.

Clicking [Browse], you can select a NDS tree and a NDS context among those listed in the [Browse] dialog boxes.

As a context, object names are typed from a lower object and divided by a period. For example, if you want to create a print server into NET under DS, type "NET.DS"



- 3 Click [OK] to close the property sheet.
- 4 After a confirmation dialog box appears, click [OK].
- 10 On the [NIB] menu, click [Exit] to exit the NIB Setup Tool.
- 11 From Windows, run NWAdmin.

Reference

For more information on NWAdmin, see the documentation that comes with the NetWare.

- 12 Create a print queue as follows.
 - 1 Select the container object the print queue is located in among those in the directory tree, and click [Create] on the [Object] menu.
 - 2 In the [Class of new object] box, click "Print Queue" to highlight it, and click [OK].
 - 3 In the [Print Queue name] box, type the name of the print queue.
 - 4 In the [Print Queue Volume] box, click the [Browse] button.
 - 5 In the [Available objects] box, click the volume in which the print queue is created to highlight it, and click [OK].
 - 6 After confirming the settings, click [Create].
- 13 Create a printer as follows.
 - 1 Select the container object the printer is located in, and click [Create] on the [Object] menu.
 - 2 In the [Class of new object] box, click "Printer" to highlight it, and click [OK].
 - 3 In the [Printer name] box, type the name of the printer.
 - 4 Click [Define additional properties] to check a box, and click [Create].

14 Assign print queues to the created printer as follows.

- ❶ Click [Assignments], and click [Add] in the [Assignments] group.
- ❷ In the [Available objects] box, click the queue created in step 12 to highlight it, and click [OK].
- ❸ Click [Configuration], and in the [Printer type] box, select [Parallel] using the dropdown menu, and then click [Communication].
- ❹ Click [Manual load] in the [Communication type] group, and click [OK].
- ❺ After confirming the settings, click [OK].

15 Create a print server as follows.

- ❶ Select the context specified using the NIB Setup Tool (step 9-1), and on the [Object] menu, click [Create].
- ❷ In the [Class of new object] box, click "Print Server" to highlight it, and click [OK].
- ❸ In the [Print Server name] box, type the name of the print server.

Important

- Use the same name as that specified using the NIB Setup Tool. (Step 8)

- ❹ Click [Define additional properties] to check a box, and click [Create].

16 Assign the printer to the created print server as follows.

- ❶ Click [Assignments], and click [Add] in the [Assignments] group.
- ❷ In the [Available objects] box, click the printer created in step 13 to highlight it, and click [OK].
- ❸ After confirming the settings, click [OK].

17 Turn the printer power off and on.**Note**

- If the printer works as configured, the name of the print server appears as an attached user.

Setting Up a Client Computer

This section describes how to set up a client computer when you use a NetWare print server.

Note

- This section assumes that the client has NetWare client applications installed and is correctly configured to communicate with a NetWare print server. If not, install the necessary applications before starting the setup procedure.

Windows 95/98

Follow these steps to set up a Windows 95/98 client.

Preparation

Log in to the NetWare file server before starting the following procedure.

1 Install the printer driver of the printer you want to use as “Local printer”.

Reference

For more information on installing the printer driver, see P.51 “Installing the PCL 6/5e Printer Driver” and P.59 “Installing the PostScript Printer Driver”.

Note

- Any port is selected during the installation, however, LPT1 is recommended.

2 Click [Start], point to [Settings], and then click [Printers].

3 In the [Printers] window, click the icon of the printer you want to use.

4 On the [File] menu, click [Properties].

5 Click the [Details] tab, and click [Add Port].

6 Click [Network] and click [Browse].

7 On the network tree, double-click the name of the file server.

The queues are displayed.

8 Click the queue you want to print to highlight it, and click [OK].

9 Click [OK].

In the [Print to the following port] box, a network path to the printer appears.

10 Click [OK] to close the printer's property, and again, open it.

11 Click the [Printer Settings] tab.

12 Remove the check marks from the [Form feed] and the [Enable banner] check boxes.

Note

- You should not check these boxes, because they should be specified using the printer driver. If they are checked, the printer might not print correctly.

When Using the PostScript Printer Driver

Follow these steps to set up for the PostScript Printer Driver

- ❶ Click the **[PostScript]** tab.
- ❷ Click **[Advanced]**.
- ❸ Remove the check marks from the **[Send CTRL+D before job]** and the **[Send CTRL+D after job]** check boxes.
- ❹ Click **[OK]** to close the property.

3

Windows 3.1x

Follow these steps to set up a Windows 3.1x client.

Note

- This section assumes that the client software released from Novell is installed on the client computer.

- ❶ Install the printer driver of the printer you want to use as “Local printer”.

Reference

For more information on installing the printer driver, see P.51 “*Installing the PCL 6/5e Printer Driver*” and P.59 “*Installing the PostScript Printer Driver*”.

- ❷ Double-click the **[Printers]** icon on **[Control Panel]**.
- ❸ In the **[Installed Printers]** box, select the printer driver you want to use by clicking it, and then, click **[Connect]**.
- ❹ In the **[Ports]** box, click “LPT1” to highlight it, and click **[Network]**.
The **[NetWare Printer Connections]** dialog box appears.
- ❺ In the **[Ports]** box, click “LPT1” to highlight it, and in the **[Resources]** box, click the queue you want to print to highlight it.

Note

- You should log in to the file server in order to see the print queues.

- ❻ Click **[Capture]**.
The specified queue is captured to the LPT1.
- ❼ Click **[LPT Settings]**.
The **[NetWare Settings]** dialog box appears.

- 8 Remove the check marks from the [Form Feed] and the [Enable Banner] check boxes.

 **Note**

- You should not check these boxes, because they should be specified using the printer driver. If they are checked, the printer might not print correctly.

- 9 Click [OK] to close the [NetWare Settings] dialog box.

- 10 Close the [Network driver] dialog box.

- 11 Click [OK] to close the [Connect] dialog box.

- 12 Click [Close] to close the [Printers] dialog box.

Windows NT 4.0

Follow these steps to set up a Windows NT 4.0 client.

 **Preparation**

Log in to the NetWare file server before starting the following procedure.

- 1 Double-click the [Network Neighborhood] icon on the desktop and navigate to the queue you want to use, and then double-click it.

The [Printers] dialog box appears.

- 2 Click [No].

- 3 Close all the applications that are currently running.

- 4 Insert the CD-ROM labeled "Printer Drivers and Utilities" in the CD-ROM drive.

If the setup menu starts automatically, you can proceed to the next step. If not, see P.51 "Installing the PCL 6/5e Printer Driver" and P.59 "Installing the Post-Script Printer Driver" to start the installation and then proceed to the next step.

- 5 The [Printer Installation] dialog box appears.

- 6 From the [Port] list, select the queue you selected in step 1, and click [Next >].

- 7 Follow the instructions on the screen to finish the installation of the printer driver.

Macintosh Configuration

Configuring Macintosh

This section describes how to configure a Macintosh computer to use EtherTalk. The actual procedures to configure a Macintosh are slightly different depending on the version of the Mac OS. If you are not using Mac OS 8, see the manual that comes with your version of the Mac OS for more information.

Reference

For information on configuring a network printer in a Macintosh EtherTalk environment, see “PostScript 3 Operating Instructions Supplement” included in the CD-ROM labeled “Printer Drivers and Utilities”.

Changing to EtherTalk

Reference

For information on installing the software required for EtherTalk, see the Macintosh manuals.

- 1** Open [Control Panels], and double-click the [AppleTalk] icon.
- 2** Select [Ethernet] from the [Connect via:] pop-up menu.
- 3** If you change zones, select a name from the [Current zone:] pop-up menu.
- 4** Close the [AppleTalk] control panels.
- 5** Restart the Macintosh.

UNIX Configuration

UNIX Configuration

UNIX printing utilizes a line printer daemon (lpd) to direct jobs to the printer. With printer-based lpd, the Network Interface Board acts as the line printer daemon host and accepts print jobs directly.

TCP/IP configuration of the Network Interface Board is needed for all versions of UNIX. See "Owner's Manual" (NIB 450-E Manual) in the CD-ROM labeled "Print Server Software and Documentation" for lpd configuration.

 **Note**

- Be sure to turn the printer off and on after changing the network configuration.

4. Installing the PCL 6/5e Printer Driver

Installing the PCL 6/5e Printer Driver

Printing requires installation of a printer driver for your operating system.

This section describes instructions for installing the printer driver. The actual procedure differs somewhat depending on your operating system.

This printer comes with two kinds of PCL printer drivers. One is PCL 6, and the other is PCL 5e.

Generally, we recommend PCL 6 as your first choice, for it provides better WYSIWYG (What You See Is What You Get) and higher speed than PCL 5e.

However, some of your application software might require the installation of the PCL 5e printer driver. In this case, you can install the PCL 5e printer driver in addition to the PCL 6 printer driver.

Follow the appropriate one of the following procedures.

Important

- Before starting this installation, close all documents and applications. In a network environment, confirm that users who are logged on are disconnected. Be sure to do this when it will create the least interference with other users.
- After installing a printer driver, you must restart the computer.
- Never have two versions of the same printer driver installed on your system at the same time. When upgrading to a new version of the printer driver, uninstall the old version, and then install the new one.

Windows 95/98 - Installing the PCL 6/5e Printer Driver

Installing the printer driver

- 1** Close all the applications that are currently running.
- 2** Insert the CD-ROM labeled "Printer Drivers and Utilities" in the CD-ROM drive.
If the setup menu starts automatically, follow the instructions on the screen. Otherwise, continue the step **3**.
- 3** Click [Start] on the task bar.
- 4** Click [Run].
- 5** In the [Run] window, click [Browse].

- 6** Select the CD-ROM drive.
- 7** Open [PCL6 (or PCL5E)].
- 8** Open [WIN31_95].
- 9** Open the folder of the language you use.
- 10** Open [DISK1].
- 11** Open the file titled "Setup.exe".
- 12** Click [OK].
- 13** Follow the instructions on the screen.

Setting up options

 **Note**

- When setting up options, you should access the Printer Properties from Windows. You cannot access the Printer Properties from an application.

- 1** Click [Start], point to [Settings], and then click [Printers].
The [Printers] window appears.
- 2** Select the icon of the printer you want to use by clicking it. On the [File] menu, click [Properties].
- 3** Click the [Accessories] tab.
- 4** Select any options you have installed from the [Options] group.
- 5** Click [OK].

Windows 3.1x - Installing the PCL 6/5e Printer Driver

Installing the printer driver

- 1** Close all the applications that are currently running.
- 2** Insert the CD-ROM labeled "Printer Drivers and Utilities" in the CD-ROM drive.
- 3** From [Program Manager], click [Run] on the [File] menu.
- 4** In the [Run] window, click [Browse].
- 5** Select the CD-ROM drive from the [Drives:] list.

- 6** Open [PCL6 (or PCL5E)].
- 7** Open [WIN31_95].
- 8** Open the folder of the language you use.
- 9** Open [DISK1].
- 10** Open the file titled "Setup.exe".
- 11** Click [OK].
- 12** Follow the instructions on the screen.

Setting up options

 **Note**

- When setting up options, you should access the Printer Setting dialog box from Windows. You cannot access the Printer Setting dialog box from an application.

- 1** From the [Main] group of [Program Manager], open [Control Panel] by double-clicking it.
- 2** Double-click the [Printers] icon.
- 3** In the [Installed Printers:] list box, click the name of the printer you want to set up.
- 4** Click [Setup].
- 5** Click [Accessories] tab. The [Options] group appears.
- 6** Select any options you have installed from the [Option] group.
- 7** Click [OK] to close the Printer Setting dialog box.
- 8** Click [Close] to close the [Printers] dialog box.

Windows NT 4.0 - Installing the PCL 6/5e Printer Driver

Installing the printer driver

 **Limitation**

- Installing a printer driver requires Full Control access permission. Members of the Administrators, Server Operators, Print Operators, and Power Users groups have Full Control permission by default.

- 1** Close all the applications that are currently running.
- 2** Insert the CD-ROM labeled “Printer Drivers and Utilities” in the CD-ROM drive.
If the setup menu starts automatically, follow the instructions on the screen. Otherwise, continue to step **3**.
- 3** Click [Start] on the task bar.
- 4** Click [Run].
- 5** In the [Run] window, click [Browse].
- 6** Select the CD-ROM drive.
- 7** Open [PCL6 (or PCL5E)].
- 8** Open [NT4].
- 9** Open the folder of the language you use.
- 10** Open [DISK1].
- 11** Open the file titled “Setup.exe”.
- 12** Click [OK].
- 13** Follow the instructions on the screen.

Sharing the Printer on Windows NT 4.0 for Windows 95/98 Client

- ① Install the Windows NT 4.0 printer driver on Windows NT 4.0 following the previous procedure.
- ② Install the Windows 95/98 printer driver on Windows NT 4.0 as an Alternate driver from the following folders in the CD-ROM:
 - PCL 5e
 \PCL5E\WIN31_95\language\DISK1
 - PCL 6
 \PCL6\WIN31_95\language\DISK1

Important

- Be sure to select the same printer language and printer model as used in the version of Windows NT 4.0 you have installed.
- ③ After installing the Windows 95/98 printer driver, open the Printer Properties and confirm that the Windows 95/98 driver has been installed as an Alternate driver on the [Sharing] tab.

Setting up options

Limitation

- Changing the settings of the printer requires Full Control access permission. Members of the Administrators, Server Operators, Print Operators, and Power Users groups have Full Control permission by default.

Note

- When setting up options, you should access the Printer Properties from Windows. You cannot access the Printer Properties from an application.

1 Click [Start], point to [Settings], and then click [Printers].

The [Printers] window appears.

2 Select the icon of the printer you want to use by clicking it. On the [File] menu, click [Properties].

3 Click the [Accessories] tab.

4 Select any options you have installed from the [Options] group.

5 Click [OK].

Uninstalling the PCL 6/5e Printer Driver

This section describes instructions for uninstalling the printer driver. The actual procedure differs somewhat depending on your operating system.

Follow the appropriate one of the following procedures.

Windows 95/98 - Uninstalling the PCL 6/5e Printer Driver

- 1** Close all the applications that are currently running.
- 2** Insert the CD-ROM labeled "Printer Drivers and Utilities" in the CD-ROM drive.
If the setup menu starts automatically, follow the instructions on the screen. Otherwise, continue to step **3**.
- 3** Click [Start] on the task bar.
- 4** Click [Run].
- 5** In the [Run] window, click [Browse].
- 6** Select the CD-ROM drive.
- 7** Open [PCL6 (or PCL5E)].
- 8** Open [WIN31_95].
- 9** Open the folder of the language you use.
- 10** Open [DISK1].
- 11** Open the file titled "Unsetup.exe".
- 12** Click [OK].
- 13** Follow the instructions on the screen.

Windows 3.1x - Uninstalling the PCL 6/5e Printer Driver

- 1** Close all the applications that are currently running.
- 2** Insert the CD-ROM labeled "Printer Drivers and Utilities" in the CD-ROM drive.
- 3** From [Program Manager], click [Run] on the [File] menu.
- 4** In the [Run] window, click [Browse].

- 5** Select the CD-ROM drive from the [Drives:] list box.
- 6** Open [PCL6 (or PCL5E)].
- 7** Open [WIN31_95].
- 8** Open the folder of the language you use.
- 9** Open [DISK1].
- 10** Open the file titled "Unsetup.exe".
- 11** Click [OK].
- 12** Follow the instructions on the screen.

Windows NT 4.0 - Uninstalling the PCL 6/5e Printer Driver

Limitation

- Uninstalling a printer driver requires Full Control access permission. Members of the Administrators, Server Operators, Print Operators, and Power Users groups have Full Control permission by default.

- 1** Close all the applications that are currently running.
- 2** Insert the CD-ROM labeled "Printer Drivers and Utilities" in the CD-ROM drive.
If the setup menu starts automatically, follow the instructions on the screen. Otherwise, continue to step **3**.
- 3** Click [Start] on the task bar.
- 4** Click [Run].
- 5** In the [Run] window, click [Browse].
- 6** Select the CD-ROM drive.
- 7** Open [PCL6 (or PCL5E)].
- 8** Open [NT4].
- 9** Open the folder of the language you use.
- 10** Open [DISK1].
- 11** Open the file titled "Unsetup.exe".
- 12** Click [OK].
- 13** Follow the instructions on the screen.

5. Installing the PostScript Printer Driver

Installing the PostScript Printer Driver

Printing requires installation of a printer driver for your operating system.

This section describes instructions for installing the printer driver. The actual procedure differs somewhat depending on your operating system.

Follow the appropriate one of the following procedures.

Windows 95/98 - Installing the PostScript Printer Driver

Installing the printer driver

- 1** Close all the applications that are currently running.
- 2** Insert the CD-ROM labeled "Printer Drivers and Utilities" in the CD-ROM drive.
If the setup menu starts automatically, follow the instructions on the screen. Otherwise, continue to step **3**.
- 3** Click [Start] on the task bar.
- 4** Click [Run].
- 5** In the [Run] window, click [Browse].
- 6** Select the CD-ROM drive.
- 7** Open [PS].
- 8** Open [WIN95_98].
- 9** Open the folder of the language you use.
- 10** Open [DISK1].
- 11** Open the file titled "Setup.exe".
- 12** Click [OK].
- 13** Follow the instructions on the screen.

Setting up options

 **Note**

- When setting up options, you should access the **[Device Options]** tab from Windows. You cannot set up options when accessing the **[Device Options]** tab from an application

1 Click **[Start]**, point to **[Settings]**, and then click **[Printers]**.

The **[Printers]** window appears.

2 Select the icon of the printer you want to use by clicking it. On the **[File]** menu, click **[Properties]**.

3 Click the **[Device Options]** tab.

The **[Installable options]** group appears.

4 From the **[Installable options]** box, select the option you have installed.

The current setting is displayed in the **[Change settings for:]** list box.

5 Use the **[Change settings for:]** list box to select the appropriate setting for the selected option.

6 Click **[Apply]** to apply the settings you made.

7 After making all settings you want, click **[OK]**.

Windows 3.1x - Installing the PostScript Printer Driver

Installing the printer driver

1 Close all the applications that are currently running.

2 Insert the CD-ROM labeled "Printer Drivers and Utilities" in the CD-ROM drive.

3 From **[Program Manager]**, click **[Run]** on the **[File]** menu.

4 In the **[Run]** window, click **[Browse]**.

5 Select the CD-ROM drive in the **[Drives:]** list.

6 Open **[PS]**.

7 Open **[WIN31]**.

8 Open the folder of the language you use.

- 9** Open [DISK1].
- 10** Open the file titled "Setup.exe".
- 11** Click [OK].
- 12** Follow the instructions on the screen.

Setting up options

- 1** From the [Main] group of [Program Manager], open [Control Panel] by double-clicking it.
- 2** Double-click the [Printers] icon.
- 3** In the [Installed Printers:] list box, click the name of the printer you want to set up.
- 4** Click [Setup].
- 5** Click the [Features] tab.
The [Printer Features] group appears.
- 6** Use the [Printer Features] group to specify the options.
- 7** Click [OK] to close the Printer Setting dialog box.
- 8** Click [Close] to close the [Printers] dialog box.

5

Windows NT 4.0 - Installing the PostScript Printer Driver

Installing the printer driver

Limitation

- Installing a printer driver requires Full Control access permission. Members of the Administrators, Server Operators, Print Operators, and Power Users groups have Full Control permission by default.

- 1** Close all the applications that are currently running.
- 2** Insert the CD-ROM labeled "Printer Drivers and Utilities" in the CD-ROM drive.
If the setup menu starts automatically, follow the instructions on the screen. Otherwise, continue to step **3**.
- 3** Click [Start] on the task bar.

- 4** Click [Run].
- 5** In the [Run] window, click [Browse].
- 6** Select the CD-ROM drive.
- 7** Open [PS].
- 8** Open [NT4].
- 9** Open the folder of the language you use.
- 10** Open [DISK1].
- 11** Open the file titled "Setup.exe".
- 12** Click [OK].
- 13** Follow the instructions on the screen.

5

Setting up options

Limitation

- Changing the settings of the printer requires Full Control access permission. Members of the Administrators, Server Operators, Print Operators, and Power Users groups have Full Control permission by default.

Note

- When setting up options, you should access the Printer Properties from Windows. You cannot set up options when accessing the Printer Properties from an application

1 Click [Start], point to [Settings], and then click [Printers].

The [Printers] window appears.

2 Select the icon of the printer you want to use by clicking it. On the [File] menu, click [Properties].

3 Click the [Device Settings] tab.

4 Use the [Installable Options] group to specify the options.

5 Click [OK] to close the Printer Properties.

Using the Adobe PageMaker Version 6.0 or 6.5

If you use the printer under Windows 95/98/3.1x/NT 4.0 with Adobe PageMaker, you need to copy the PPD file to the PageMaker folder.

The PPD file is the file with extension ".ppd". It is in the folder "\\PS\NT4\ENGLISH\DISK1\" on the CD-ROM labeled "Printer Drivers and Utilities".

The **[NT4]** folder, inside the **[PS]** folder is for the Windows NT 4.0 operating system. Use the folder at this level that is appropriate for the operating system you are using.

The **[ENGLISH]** folder, inside the **[NT4]** folder is for English. Use the folder at this level that is appropriate for the language you use.

Copy this file to the PageMaker's folder.

For PageMaker 6 default installation, the folder is "C:\PM6\RSRC\PPD4", and for PageMaker 6.5 default installation, the folder is "C:\PM6\RSRC\USENGLISH\PPD4". The "USENGLISH" might be different, depending on your language selection.

5

Macintosh - Installing the PostScript Printer Driver

Installing the Printer Driver

It is necessary to install a printer driver and a PPD file to print from a Macintosh. Follow these steps to install a printer driver and a PPD file into a Macintosh using a system 7.1 or later operating system.

Important

- If you are using Mac OS 8.1 or later, and LaserWriter 8.5.0 or later, copy the "PrintingLib" file from the **[Extensions]** folder in the **[System Folder]** to your desktop before installing the PostScript printer driver. After installing the PostScript printer driver, drag the "PrintingLib" file from your desktop back into the **[Extensions]** folder before step 7.
- You cannot use LaserWriter 8.5.0, if you do not copy "PrintingLib" back into the **[Extensions]** folder, or you forgot to copy the "PrintingLib", please reinstall the Macintosh operating system again.

- 1** Insert the CD-ROM labeled "Printer Drivers and Utilities" in the CD-ROM drive.
- 2** Double-click the CD-ROM icon.
- 3** Double-click the **[PS]** folder.
- 4** Double-click the folder of the language you use.

- 5** Open [DISK1] and double-click the installer icon.
- 6** Follow the instructions on the screen.
- 7** Move the "PrintingLib" file from your desktop back to [Extensions] in [System Folder].
- 8** Double-click [Extensions].
- 9** Double-click [Printer Descriptions].
- 10** Double-click the CD-ROM icon on the desktop.
- 11** Double-click the [DISK1] folder in the folder of the language you use.
- 12** Click and drag the PPD file into [Printer Descriptions].
- 13** Restart the Macintosh.

5

Setting up the PPD file

 **Preparation**

Confirm that the printer is connected to an AppleTalk network before performing the following procedure.

- 1** From the [Apple] menu, select [Chooser].
- 2** Click the [AdobePS] icon.
- 3** From the [Select a PostScript Printer:] list, select the name of the printer you want to use by clicking it.
- 4** Click [Create].
- 5** Select the printer you want to use by clicking it, and then click [Select].

The PPD file is set up, and the Adobe PS icon appears at the left of the printer name in the list. Next, use the procedure on P.64 "Setting up options" to make the option settings, or close the [Chooser] dialog box.

Setting up options

- 1** On the Apple menu, select [Chooser].
- 2** Click the [Adobe PS] icon.
- 3** In the [Select the PostScript Printer] list, select the name of the printer you want to use by clicking it, and then click [Setup].

4 Click **[Configure]**.

A list of options appears.

5 Select the option you want to set up and select the appropriate setting for it. **Note**

- If the option you want to set up is not displayed, the PPD file might not be set up correctly. Check the name of the PPD file shown in the dialog box.

6 Click **[OK]**.

The list of options closes.

7 Click **[OK]**.

The **[Chooser]** dialog box appears.

8 Close the **[Chooser]** dialog box.

Uninstalling the PostScript Printer Driver

This section describes instructions for uninstalling the printer driver. The actual procedure differs somewhat depending on your operating system.

Follow the appropriate one of the following procedures.

Windows 95/98 - Uninstalling the PostScript Printer Driver

- 1** Click **[Start]** on the task bar.
- 2** Point to **[Settings]** and click **[Printers]**.
- 3** Select the printer you want to delete.
- 4** On the **[File]** menu, click **[Delete]**.
A confirmation dialog box appears.
- 5** Click **[Yes]** to delete the printer driver.

Windows 3.1x - Uninstalling the PostScript Printer Driver

- 1** From the **[Main]** group of the **[Program Manager]**, open **[Control Panel]** by double-clicking it.
- 2** Double-click the **[Printers]** icon.
- 3** Select the printer you want to delete and click **[Remove]**.
A confirmation dialog box appears.
- 4** Click **[Yes]** to delete the printer.
- 5** Click **[Close]** to finish removing the printer driver.

Windows NT 4.0 - Uninstalling the PostScript Printer Driver

Limitation

- Uninstalling a printer driver requires Full Control access permission. Members of the Administrators, Server Operators, Print Operators, and Power Users groups have Full Control permission by default.

- 1** Click **[Start]** on the task bar.
- 2** Point to **[Settings]** and click **[Printers]**.
- 3** Select the printer you want to delete.

4 On the [File] menu, click [Delete].

A confirmation dialog box appears.

5 Click [Yes] to delete the printer driver.

Macintosh - Uninstalling the PostScript Printer Driver

1 Open [System folder] and double-click [Extensions].

2 Drag the “Adobe PS” file to [Trash].

6. Installing the Font Manager

Installing the Font Manager

Printing under a Windows system using PCL 6 or PCL 5e requires installation of the Font Manager for your operating system. This section describes instructions for installing the Font Manager.

The actual procedure differs somewhat depending on your operating system. Follow the appropriate one of the following procedures.

Windows 95/98/NT 4.0 - Installing the Font Manager

- 1** Close all the applications that are currently running.
- 2** Insert the CD-ROM labeled "Printer Drivers and Utilities" in the CD-ROM drive.
If the setup menu starts automatically, follow the instructions on the screen. Otherwise, continue to step **3**.
- 3** Click [Start] on the task bar.
- 4** Click [Run].
- 5** In the [Run] window, click [Browse].
- 6** Select the CD-ROM drive.
- 7** Open [FONTMAN].
- 8** Open [DISK1].
- 9** Open the file titled "Setup.exe".
- 10** Click [OK].
- 11** Follow the instructions on the screen.

Windows 3.1x - Installing the Font Manager

- 1** Close all the applications that are currently running.
- 2** Insert the CD-ROM labeled "Printer Drivers and Utilities" in the CD-ROM drive.
- 3** From [Program Manager], click [Run] on the [File] menu.

- 4** In the [Run] window, click [Browse].
- 5** Select the CD-ROM drive from the [Drives] list box.
- 6** Open [FONTMAN].
- 7** Open [DISK1].
- 8** Open the file titled "Setup.exe".
- 9** Click [OK].
- 10** Follow the instructions on the screen.

Uninstalling the Font Manager

This section describes instructions for uninstalling the Font Manager. The actual procedure differs somewhat depending on your operating system.

Follow the appropriate one of the following procedures.

Windows 95/98/NT 4.0 - Uninstalling the Font Manager

- 1** Click [Start] on the task bar.
- 2** Point to [Settings] and click [Control Panel].
- 3** Double-click the [Add/Remove Programs] icon.
- 4** Click [AGFA Font Manager] in the list box.
- 5** Click [Add/Remove].
A confirmation dialog box appears.
- 6** Click [Yes].
- 7** Follow the instructions on the screen.

Windows 3.1x - Uninstalling the Font Manager

- 1** From [Program Manager], double-click [AGFA Font Manager].
- 2** Double-click [UnInstallShield].
- 3** Follow the instructions on the screen.

7. Setting Up The Printer Driver and Canceling a Print Job

PCL 6/5e - Accessing the Printer Properties

Windows 95/98 - Accessing the Printer Properties

There are two methods you can use to open the Printer Properties.

Making printer default settings

To make the printer default settings, first open the Printer Properties from the **[Printers]** window.

Note

- With some applications, the printer driver's settings are not used, and the application's own initial default settings are applied.

1 Click **[Start]** on the task bar, point to **[Settings]**, and then click **[Printers]**.

The **[Printers]** window appears.

2 Click the icon of the printer whose default settings you want to change.

3 On the **[File]** menu, click **[Properties]**.

The Printer Properties appears.

4 Set desired settings and click **[OK]**.

Making printer settings from an application

To make the printer settings for a specific application, open the Printer Properties from that application. The following example describes how to make settings for the WordPad application that comes with Windows 95.

Note

- The actual procedures you should follow to open the Printer Properties differs slightly depending on the application. For details, see the documentation that comes with the application you are using.
- With some applications, the printer driver's settings are not used, and the application's own initial default settings are applied.
- Any settings you make in the following procedure are valid for the current application only.

1 On the **[File]** menu, click **[Print]**.

The **[Print]** dialog box appears.

2 From the [Name:] list box, select the printer you want to use, and then click [Properties].

The Printer Properties appears.

3 Set desired settings and click [OK].

4 Click [OK] to start your printing.

Windows 3.1x - Accessing the Printer Setting Dialog Box

There are two methods you can use to open the Printer Setting dialog box.

Making printer default settings

To make the printer default settings, open the Printer Setting dialog box from [Control Panel].

 **Note**

With some applications, the printer driver's settings are not used, and the application's own initial default settings are applied.

1 From [Program Manager], open the [Main] group.

2 Double-click [Control Panel].

3 Double-click the [Printers] icon.

4 In the [Installed Printers:] list box, click the name of the printer you want to set up.

5 Click [Setup].

6 Set desired settings and click [OK].

7 Click [Close] to close the [Printers] dialog box.

Making printer settings from an application

To make the printer settings for a specific application, open the Printer Setting dialog box from that application. The following example describes how to make settings for the Write application that comes with Windows 3.1x.

 **Note**

The actual procedures you should follow to open the Printer Setting dialog box differs slightly depending on the application. For details, see the documentation that comes with the application you are using.

With some applications, the printer driver's settings are not used, and the application's own initial default settings are applied.

- Any settings you make in the following procedure are valid for the current application only.

1 On the **[File]** menu, click **[Print Setup]**.

[Print Setup] appears.

2 From the **[Printer]** group, select the printer you want to use.

 **Note**

- If the printer you want to use is not specified as the default printer, click **[Specific Printer:]** and then find the printer you want to use in the list box.

3 Click **[Options]**.

The Printer Setting dialog box appears.

4 Set desired settings and click **[OK]**.

5 Click **[OK]** to close the **[Print Setup]** dialog box.

6 Start your printing.

Windows NT 4.0 - Accessing the Printer Properties

Making printer default settings - Printer Properties

 **Limitation**

- Changing the settings of the printer requires Full Control access permission. Members of the Administrators, Server Operators, Print Operators, and Power Users groups have Full Control permission by default.

1 Click **[Start]** on the task bar, point to **[Settings]**, and then click **[Printers]**.

The **[Printers]** window appears.

2 Click the icon of the printer whose default setting you want to change.

3 On the **[File]** menu, click **[Properties]**.

The Printer Properties appears.

4 Set desired settings and click **[OK]**.

 **Note**

- Setting you make here are used as the default settings for all applications.

Making printer default settings – Default Document Properties

Limitation

- Changing the settings of the printer requires Full Control access permission. Members of the Administrators, Server Operators, Print Operators, and Power Users groups have Full Control permission by default.

1 Click **[Start]** on the task bar, point to **[Settings]**, and then click **[Printers]**.

The **[Printers]** window appears.

2 Click the icon of the printer whose default settings you want to change.

3 On the **[File]** menu, click **[Document Defaults]**.

The Default Document Properties appears.

4 Set desired settings and click **[OK]**.

Note

- Settings you make here are used as the default settings for all applications.

Making printer settings from an application

To make the printer settings for a specific application, open the Document Properties from that application. The following example describes how to make settings for the WordPad application that comes with Windows NT 4.0.

Note

- The actual procedures you should follow to open the Document Properties differs slightly depending on the application. For details, see the documentation that comes with the application you are using.
- With some applications, the printer driver's settings are not used, and the application's own initial default settings are applied.
- Any settings you make in the following procedure are valid for the current application only.

1 On the **[File]** menu, click **[Print]**.

The **[Print]** dialog box appears.

2 From the **[Name:]** list box, select the printer you want to use, and then click **[Properties]**.

The Document Properties appears.

3 Set desired settings and click **[OK]**.

4 Click **[OK]** to start your printing.

PostScript - Setting Up for Printing

Windows 95/98 - Accessing the Printer Properties

There are two methods you can use to open the Printer Properties.

Making printer default settings

To make the printer default settings, first open the Printer Properties from the **[Printers]** window.

 **Note**

- With some applications, the printer driver's settings are not used, and the application's own initial default settings are applied.

1 Click **[Start]** on the task bar, point to **[Settings]**, and then click **[Printers]**.

The **[Printers]** window appears.

2 Click the icon of the printer whose default settings you want to change.

3 On the **[File]** menu, click **[Properties]**.

The Printer Properties appears.

4 Set desired settings and click **[OK]**.

Making printer settings from an application

To make the printer settings for a specific application, open the Printer Properties from that application. The following example describes how to make settings for the WordPad application that comes with Windows 95.

 **Note**

- The actual procedures you should follow to open the Printer Properties differs slightly depending on the application. For details, see the documentation that comes with the application you are using.
- With some applications, the printer driver's settings are not used, and the application's own initial default settings are applied.
- Any settings you make in the following procedure are valid for the current application only.

1 On the **[File]** menu, click **[Print]**.

The **[Print]** dialog box appears.

2 From the **[Name:]** list box, select the printer you want to use, and then click **[Properties]**.

The Printer Properties appears.

3 Set desired settings and click **[OK]**.

4 Click **[OK]** to start your printing.

Windows 3.1x - Accessing the Printer Setting Dialog Box

There are two methods you can use to open the Printer Setting dialog box.

Making printer default settings

To make the printer default settings, open the Printer Setting dialog box from **[Control Panel]**.

 **Note**

- With some applications, the printer driver's settings are not used, and the application's own initial default settings are applied.

1 From **[Program Manager]**, open the **[Main]** group

2 Double-click **[Control Panel]**.

3 Double-click the **[Printers]** icon.

4 In the **[Installed Printers]** list box, click the name of the printer you want to set up.

5 Click **[Setup]**.

6 Set desired settings and click **[OK]**.

7 Click **[Close]** to close the **[Printers]** dialog box.

Making printer settings from an application

To make the printer settings for a specific application, open the Printer Setting dialog box from that application. The following example describes how to make settings for the Write application that comes with Windows 3.1x.

 **Note**

- The actual procedures you should follow to open **[Print Setup]** differs slightly depending on the application. For details, see the documentation that comes with the application you are using.
- With some applications, the printer driver's settings are not used, and the application's own initial default settings are applied.
- Any settings you make in the following procedure are valid for the current application only.

1 On the [File] menu, click [Print Setup].

[Print Setup] appears.

2 From the [Printer] group, select the printer you want to use.

 **Note**

- If the printer you want to use is not specified as the default printer, click [Specific Printer:] and then find the printer you want to use in the list box.

3 Click [Options].

The Printer Setting dialog box appears.

4 Set desired settings and click [OK].

5 Click [OK] to close the [Print Setup] dialog box.

6 Start your printing.

Windows NT 4.0 - Accessing the Printer Properties

Making printer default settings - Printer Properties

 **Limitation**

- Changing the settings of the printer requires Full Control access permission. Members of the Administrators, Server Operators, Print Operators, and Power Users groups have Full Control permission by default.

1 Click [Start] on the task bar, point to [Settings], and then click [Printers].

The [Printers] window appears.

2 Click the icon of the printer whose default settings you want to change.

3 On the [File] menu, click [Properties].

The Printer Properties appears.

4 Set desired settings and click [OK].

 **Note**

- Setting you make here are used as the default settings for all applications.

Making printer default settings - Default Document Properties

Limitation

- Changing the settings of the printer requires Full Control access permission. Members of the Administrators, Server Operators, Print Operators, and Power Users groups have Full Control permission by default.

1 Click **[Start]** on the task bar, point to **[Settings]**, and then click **[Printers]**.

The **[Printers]** window appears.

2 Click the icon of the printer whose default settings you want to change.

3 On the **[File]** menu, click **[Document Defaults]**.

The Default Document Properties appears.

4 Set desired settings and click **[OK]**.

Note

- Settings you make here are used as the default settings for all applications.

Making printer settings from an application

To make the printer settings for a specific application, open the Document Properties from that application. The following example describes how to make settings for the WordPad application that comes with Windows NT 4.0.

Note

- The actual procedures you should follow to open the Document Properties differs slightly depending on the application. For details, see the documentation that comes with the application you are using.
- With some applications, the printer driver's settings are not used, and the application's own initial default settings are applied.
- Any settings you make in the following procedure are valid for the current application only.

1 On the **[File]** menu, click **[Print]**.

The **[Print]** dialog box appears.

2 From the **[Name]** list box, select the printer you want to use, and then click **[Properties]**.

The Document Properties appears.

3 Set desired settings and click **[OK]**.

4 Click **[OK]** to start your printing.

Macintosh - Setting Up for Printing

Making paper settings from an application

- 1** Open the file you want to print.
- 2** On the [File] menu, click [Page Setup].
[Adobe PS Page Setup] appears.
- 3** Confirm that the printer you want to use is shown in [Format for:].

 **Note**

- If your printer is now shown in the [Format for:] box, use the pop-up menu to display a list of available printers.

 **Reference**

The actual appearance of the Page Setup depends on the application you are using. See the documentation that comes with your Macintosh for details.

- 4** From the [Paper] pop-up menu, select the paper size.
- 5** Set desired settings and click [OK].

Setting up for printing from an application

- 1** Open the file you want to print.
- 2** On the [File] menu, click [Print].
The Printer Settings appears.
- 3** Confirm that your printer is selected in the [Printer:] box.
- 4** Set desired settings and click [Print].

Canceling a Print Job

Windows 95/98 - Canceling a Print Job

1 Double-click the printer icon on the task bar.

This opens a window that shows all the print jobs that are currently queued for printing. Check the current status of the job you want to cancel.

2 Click the name of the job you want to cancel so it is highlighted.

3 On the [Document] menu, click [Cancel Printing].

 **Note**

You can also open the print job queue window by double-clicking the printer icon in the [Printers] window.

4 Press the printer's [Job Reset] key.

The message appears on the panel display indicating that the print job is being cancelled.

 **Important**

The preceding procedure cancels the print job that is currently being processed by the printer. In some cases, the printer might already be processing data for the next print job following the one currently being output. In such a case, the next print job is also canceled when you press [Job Reset].

When your printer is being shared by multiple computers, confirm you do not accidentally cancel someone else's print job.

 **Note**

You cannot stop printing data that has already been processed internally by the printer. Because of this, printing might continue for a few pages after you press [Job Reset].

A print job that contains a large volume of data might take considerable time to stop.

Windows 3.1x - Canceling a Print Job

1 In the [Main] group, double-click the [Print Manager] icon.

This opens a window that shows all the print jobs that are currently queued for printing.

2 Click the name of the job you want to cancel so it is highlighted.

3 On the [Document] menu, click [Delete Document].

4 Click **[OK]** to close the dialog box.

5 Press the printer's **[Job Reset]** key.

The message appears on the panel display indicating that the print job is being cancelled.

Important

- The preceding procedure cancels the print job that is currently being processed by the printer. In some cases, the printer might already be processing data for the next print job following the one currently being output. In such a case, the next print job is also canceled when you press **[Job Reset]**.
- When your printer is being shared by multiple computers, confirm you do not accidentally cancel someone else's print job.

Note

- You cannot stop printing data that has already been processed internally by the printer. Because of this, printing might continue for a few pages after you press **[Job Reset]**.
- A print job that contains a large volume of data might take considerable time to stop.

Windows NT 4.0 - Canceling a Print Job

1 Double-click the printer icon on the task bar.

This opens a window that shows all the print jobs that are currently queued for printing. Check the current status of the job you want to cancel.

2 Click the name of the job you want to cancel so it is highlighted.

3 On the **[Document]** menu, click **[Cancel]**.

Note

- You can also open the print job queue window by double-clicking the printer icon in the **[Printers]** window.

4 Press the printer's **[Job Reset]** key.

The message appears on the panel display indicating that the print job is being cancelled.

Important

- The preceding procedure cancels the print job that is currently being processed by the printer. In some cases, the printer might already be processing data for the next print job following the one currently being output. In such a case, the next print job is also canceled when you press **[Job Reset]**.
- When your printer is being shared by multiple computers, confirm you do not accidentally cancel someone else's print job.

 **Note**

- You cannot stop printing data that has already been processed internally by the printer. Because of this, printing might continue for a few pages after you press **[Job Reset]**.
- A print job that contains a large volume of data might take considerable time to stop.

Macintosh - Canceling a Print Job

1 Double-click the printer icon on the Desktop.

This opens a window that shows all the print jobs that are currently queued for printing. Check the current status of the job you want to cancel.

2 Click the name of the job you want to cancel so it is highlighted.

3 Click **[Pause Button]**, and then click **[Trash Button]**.

4 Press the printer's **[Job Reset]** key.

The message appears on the panel display indicating that the print job is being cancelled.

 **Important**

- The preceding procedure cancels the print job that is currently being processed by the printer. In some cases, the printer might already be processing data for the next print job following the one currently being output. In such a case, the next print job is also canceled when you press **[Job Reset]**.
- When your printer is being shared by multiple computers, confirm you do not accidentally cancel someone else's print job.

 **Note**

- You cannot stop printing data that has already been processed internally by the printer. Because of this, printing might continue for a few pages after you press **[Job Reset]**.
- A print job that contains a large volume of data might take considerable time to stop.

8. Paper and Other Media

Paper and Other Media Supported by Your Printer

Paper Types and Sizes



This section describes the type, size, feed direction, and maximum capacity of paper that can be loaded into each paper tray in this printer.

Important

- Be sure to set the paper size dial to match the actual paper size loaded in the tray. When the actual paper size is not shown on the dial, set the dial to “*” and specify the paper size using the operation panel.









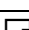



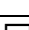
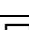



Note

- The meaning of the symbols describing paper can be seen in the following table.

In this manual	Meaning
	long-edge feed direction
	short-edge feed direction

- It is recommended that you load paper having the size and direction you frequently use in the tray selected with the “Tray Priority”. For details on Tray Priority, see P.134 “Job Control Parameters”.
- When loading paper having the same size in more than one tray, it is recommended that you load paper in the same direction.
- Regarding the meanings of the abbreviations, see the notes following each table.


❖ Paper Sizes (Metric version)

	Feed direction	Size (mm)	Bypass Tray	Standard Tray (Tray 1/2)	Paper Bank PS430 (Tray 3/4)	Large Capacity Tray RT36
A3		297 × 420	○*	☆	☆	X
B4 JIS		257 × 364	○*	★	★	X
A4		297 × 210	X	☆	☆	○*
		210 × 297	○*	☆	☆	X
B5 JIS		257 × 182	X	★	★	X
		182 × 257	○*	★	★	X
A5		148 × 210	○*	☆	☆	X
A6 *1		105 × 148	○*	X	X	X
Double Letter (DLT, 11" × 17")		279 × 432	○*	★	★	X
Legal (LG, 8 ¹ / ₂ " × 14")		216 × 356	○*	★	★	X
Letter (LT, 8 ¹ / ₂ " × 11")		279 × 216	X	☆	☆	○*
		216 × 279	○*	☆	☆	X
Half Letter (HLT, 5 ¹ / ₂ " × 8 ¹ / ₂ "		140 × 216	○*	★	★	X
Executive (Exec., 7 ¹ / ₄ " × 10 ¹ / ₂ "		184 × 267	○*	★	★	X
Folio (8 ¹ / ₄ " × 13")		210 × 330	○*	★	★	X
Foolscap (F4, 8 ¹ / ₂ " × 13")		216 × 330	○*	★	★	X
F/GL (8" × 13")		203 × 330	○*	☆	☆	X




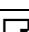
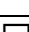


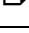

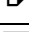
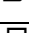


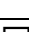



*1 The size is not supported in the duplex printing.

- ○ means that the size is supported and you need to specify the paper size using the operation panel. (Regarding the bypass tray and the Large Capacity Tray RT36, there is no dial on the tray.)
- ☆ means that the size is supported and indicated on the tray dial. Be sure to set the paper size dial to match the actual paper size loaded in the tray.
- ★ means that the size is supported but not indicated on the tray dial. You should set the tray dial to “✱”, and specify the paper size using the operation panel.
- ○* means that the size is supported and you need to specify the paper size using the printer driver.
- X means that the size is not supported.

Important

- If you want to load 8¹/₂" × 11"  size paper into the Large Capacity Tray RT36, contact your sales or service representative.

❖ Paper Sizes (Inch version)

	Feed direction	Size (inch)	Bypass Tray	Standard Tray (Tray 1/2)	Paper Bank PS430 (Tray 3/4)	Large Capacity Tray RT36
Double Letter (DLT)		11" × 17"	○*	☆	☆	X
Legal (LG)		8 ¹ / ₂ " × 14"	○*	☆	☆	X
Letter (LT)		11" × 8 ¹ / ₂ "	X	☆	☆	○*
		8 ¹ / ₂ " × 11"	○*	☆	☆	X
Half Letter (HLT)		5 ¹ / ₂ " × 8 ¹ / ₂ "	○*	★	★	X
Executive (Exec.)		7 ¹ / ₄ " × 10 ¹ / ₂ "	○*	★	★	X
A3		11.26" × 16.54"	○*	★	★	X
B4 JIS		10.12" × 14.33"	○*	★	★	X
A4		11.69" × 8.27"	X	☆	☆	○*
		8.27" × 11.69"	○*	☆	☆	X
B5 JIS		10.12" × 7.17"	X	★	★	X
		7.17" × 10.12"	○*	★	★	X
A5		5.83" × 8.27"	○*	★	★	X
A6 * ¹		4.13" × 5.83"	○*	X	X	X
Folio		8 ¹ / ₄ " × 13"	○*	★	★	X
Foolscap F4		8 ¹ / ₂ " × 13"	○*	☆	☆	X
F/GL		8" × 13"	○*	★	★	X

*¹ The size is not supported in the duplex printing.

- ○ means that the size is supported and you need to specify the paper size using the operation panel. (Regarding the bypass tray and the Large Capacity Tray RT36, there is no dial on the tray.)
- ☆ means that the size is supported and indicated on the tray dial. Be sure to set the paper size dial to match the actual paper size loaded in the tray.
- ★ means that the size is supported but not indicated on the tray dial. You should set the tray dial to “✱”, and specify the paper size using the operation panel.
- ○* means that the size is supported and you need to specify the paper size using the printer driver.
- X means that the size is not supported.

Important

- If you want to load A4□ size paper into the Large Capacity Tray RT36, contact your sales or service representative.

❖ Paper weight and number of sheets to be set

	Supported paper weight	Maximum number of sheets (plain paper) *1
Bypass Tray	52 - 157 g/m ² (16 - 42 lb)	50 (80 g/m ² , 20 lb) For other kind of papers, see P.90 “Paper types and cautions”.
Standard Tray (Tray 1/2)	64 - 105 g/m ² (20 - 28 lb)	500 (80 g/m ² , 20 lb)
Paper Bank PS430 (option)	64 - 105 g/m ² (20 - 28 lb)	500 (80 g/m ² , 20 lb)
Large Capacity Tray RT36 (option)	64 - 105 g/m ² (20 - 28 lb)	1,500 (80 g/m ² , 20 lb)

*1 Confirm that the top of the stack is not higher than the limit mark indicated on the side guide of the tray.

Precautions for Paper

Note the following precautions when handling or selecting paper to be used with this printer.

Cautions in loading paper

- Use only the recommended paper types. Print quality cannot be guaranteed if other paper types are used.
- Do not use paper that is already printed on.
- When loading paper into the paper tray or the Large Capacity Tray RT36, confirm that the top of the stack is not higher than the limit mark inside the tray.
- When loading paper onto the bypass tray, confirm that the top of the stack is not higher than the limit mark of the paper guide.
- When loading paper into the paper tray, confirm that print side is facing *up*.
- When loading paper onto the bypass tray or the Large Capacity Tray RT36, confirm that print side is facing *down*.

Cautions in storing paper

Paper should always be stored properly. Improperly stored paper might result in poor print quality, paper misfeeds, or printer damage.

Follow the following precautions.

- Avoid storing paper in humid areas.
- Avoid exposing paper to direct sunlight.
- Store on a flat surface.
- Keep open reams of paper in the package in which the paper came.

Paper types and cautions

❖ Plain paper

- If you print on paper heavier than 105 g/m² (28 lb), use the bypass tray. The bypass tray can hold paper up to 157 g/m² (42 lb) in weight.
- When loading paper heavier than 155 g/m² (41 lb) onto the bypass tray, set the printer to the Thick Paper mode using the operation panel. ⇒ P.129 *“Using the Operation Panel”*
- If paper is curled or bent, correct it before loading.

❖ OHP transparencies

- Load only one OHP transparency at a time onto the bypass tray.
- When loading OHP transparencies onto the bypass tray, set the printer to the OHP sheet mode using the operation panel. ⇒ P.129 *“Using the Operation Panel”*
- Be careful not to touch the print side of the OHP transparencies. Otherwise, the print side gets dirty or damaged, and results in poor print quality.
- When printing on an OHP transparency that has a print side, load it face down onto the bypass tray.

❖ Translucent paper

- Load only one translucent paper at a time onto the bypass tray.
- When printing on translucent paper that has a print side, load it face down onto the bypass tray.

❖ Adhesive labels

- Load only one adhesive label at a time onto the bypass tray.
- Use adhesive labels in which the whole side can be printed on.
- Avoid using adhesive labels having exposed glue.
- If the print side is coated, the print quality might be reduced, as the toner might not fuse well.

Paper not supported by this printer

Avoid using the following types of paper that are not supported by this printer:

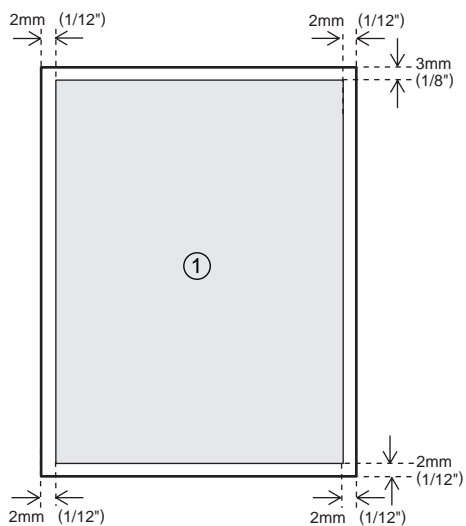
- Paper whose weight is heavier or lighter than the limitation. ⇒ P.85 “*Paper Types and Sizes*”
- Bent, folded, or creased paper
- Curled or twisted paper
- Torn paper
- Wrinkled paper
- Damp paper
- Paper stuck together
- Paper that is dry enough to emit static electricity
- Paper that has already been printed except preprinted letterhead

 Note

- Ink on paper from an earlier print job, another copier, an inkjet printer or other device could damage the fusing unit of this printer due to a difference in fusing temperatures.
- Coated paper (except the recommended one)
- Special paper like thermal paper, aluminum foil, carbon paper and conductive paper
- Heavily textured paper
- Glued paper
- Label paper on which glue or base paper is exposed
- Paper with clips or stapled
- Paper with tape or ribbons attached
- Envelopes

Printable Area

The following shows the printable area for this printer. Be sure to set the print margins correctly.



① : printable area

 **Note**

- ❑ The printable area might vary depending on paper size, printer language and printer driver settings.

Loading Paper and Other Media

Loading Paper in the Paper Tray

This section describes instructions for loading paper whose size and feed direction is already set in the standard paper tray and the optional paper bank PS430. If you want to change the paper size or feed direction, see P.94 "Changing Paper Size of the Paper Tray".

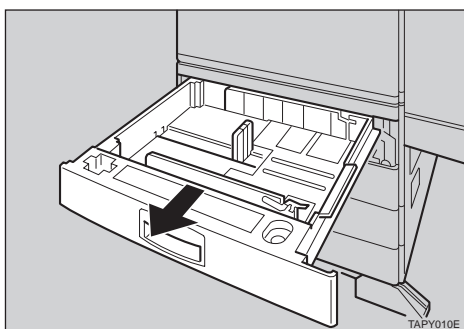
Important

- ❑ Confirm that the setting of the paper size dial matches the paper size and feed direction of the paper in the tray. Otherwise, the printer might be damaged, or printing problems might occur.

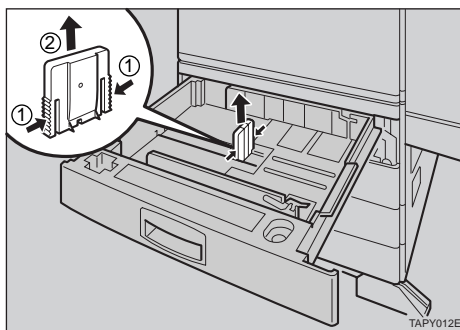
Reference

For more information on the size and feed direction of paper that can be loaded in the tray, see P.85 "Paper Types and Sizes".

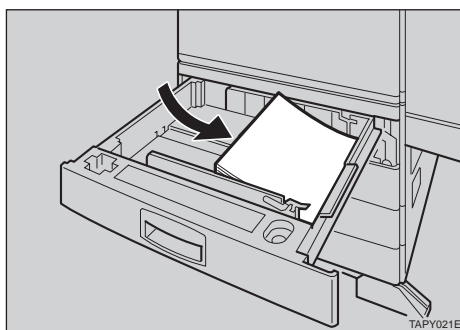
- 1** Slide the paper tray out until it stops.



- 2** Remove the rear guide.



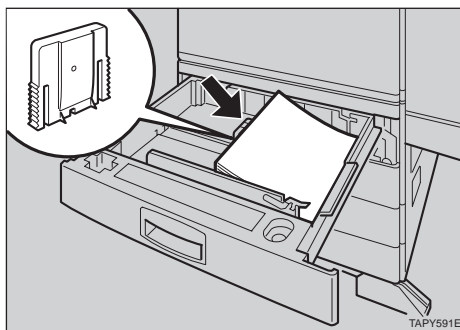
- 3** Align all four sides of the paper stack and load it into the tray.



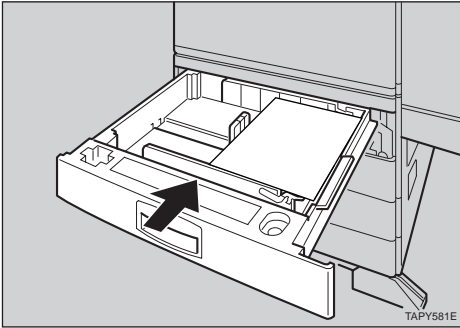
Important

- ❑ Confirm that the top of the stack is not higher than the limit mark inside the tray.

- 4** While lifting the left side of the paper, attach the rear guide.



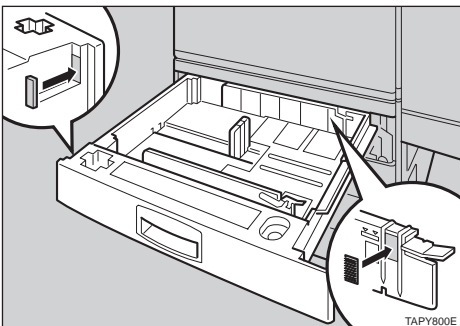
- 5** Slide the tray into the printer until it stops.



Changing Paper Size of the Paper Tray

Important

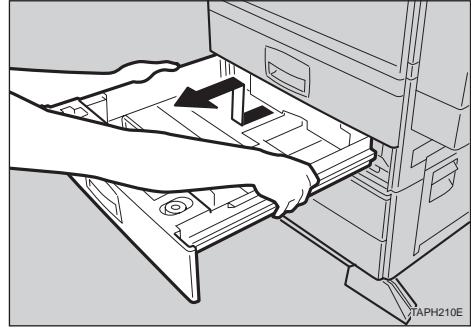
- ❑ Confirm that the setting of the paper size dial matches the paper size and feed direction of the paper in the tray. Otherwise, the printer might be damaged, or printing problem might occur.
- ❑ If you load A3, B4 JIS, 11"x17" and 8 1/2"x14" size paper into Tray 1, attach the cushion (1) and pad (2) as shown in the illustration. Attach the cushion (1) on the left back side of the front cover of Tray 1. The cushion should touch the bottom and the wall. Attach the pad (2) on the side guide on the printer side. The pad should be between the ribs and 1 - 2 mm (0.04" - 0.08") from the top.



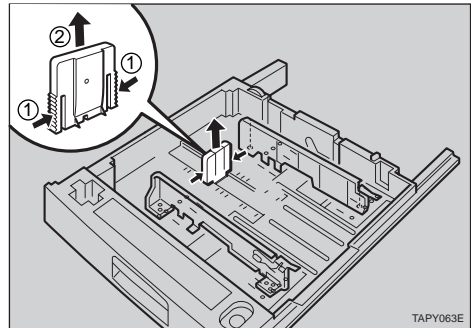
Reference

For more information on the size and feed direction of paper that can be set in the tray, see P.85 "Paper Types and Sizes".

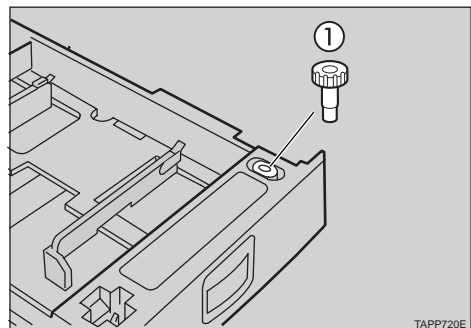
- 1** Slide the paper tray out until it stops. After that, lift it up slightly, then pull it out.



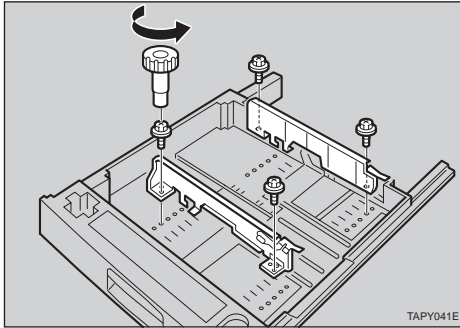
- 2** Remove the rear guide.



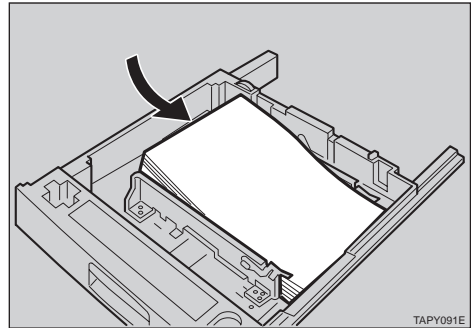
- 3** Pull the standard paper tray (Tray 1), and take the screwdriver (1) from the tray.



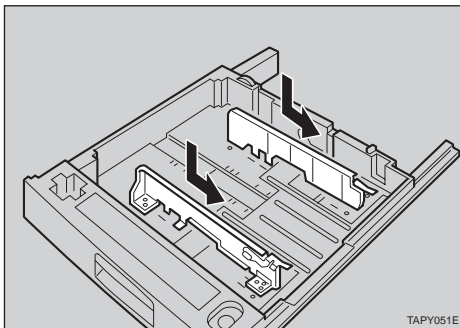
- 4** Remove the four screws inside of the tray you removed in step 1.



- 7** Align all four sides of the paper stack and load it into the tray.



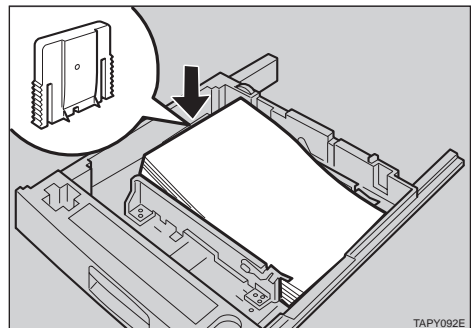
- 5** Re-position the side guide to hold the paper size you want to load.



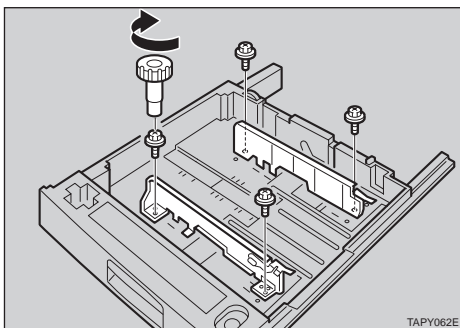
Important

- Confirm that the top of the stack is not higher than the limit mark inside the tray.

- 8** While lifting the left side of the paper, attach the rear guide.

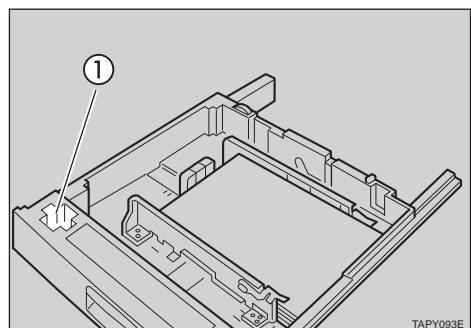


- 6** Lock the side guides with the four screws you removed in step 4.

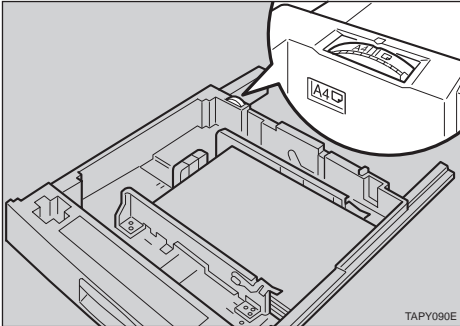


Note

- For 11" × 17" size paper, remove the rear guide and place it in the guide storage space (1).



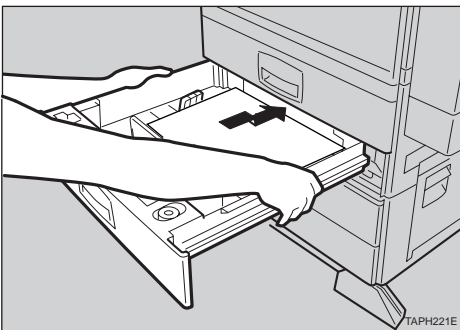
9 Adjust the paper size dial to match the size and feed direction of the paper in the paper tray.



Important

❑ If you want to use paper size and feed direction that are not indicated on the paper size dial, set the dial to "✳". In this case, you should specify the paper size using the operation panel. ⇒ P.132 "Making Printer Settings with the Operation Panel"

10 Slide the tray into the printer gently until it stops.

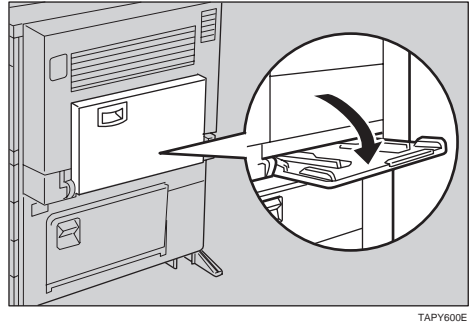


Loading Paper in the Bypass Tray

Reference

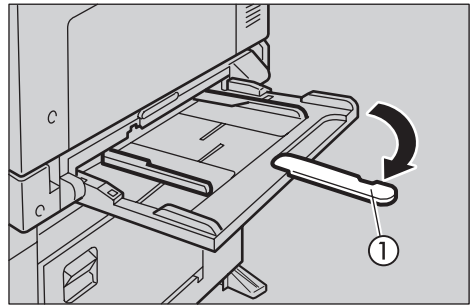
For more information on the size and feed direction of paper that can be set in the tray, see P.85 "Paper Types and Sizes".

1 Open the bypass tray.



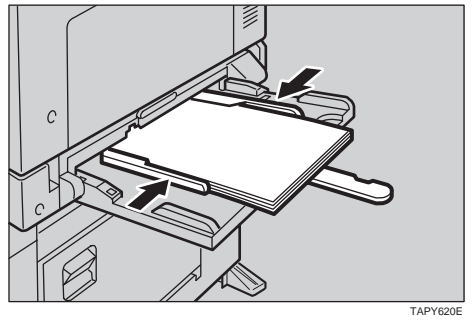
Note

❑ Swing out the extender (1) to support paper sizes larger than A4.



2 Slide the paper guides outwards, and load paper until it stops with the print side down.

3 Adjust the paper guides to the paper width.



Important

❑ Confirm that the top of the stack is not higher than the limit mark of the paper guide.

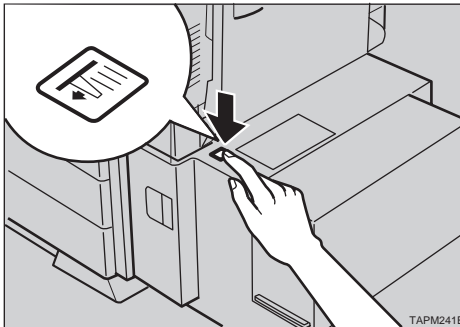
Loading Paper in the Optional Large Capacity Tray

This section describes instructions to load paper in the optional Large Capacity Tray RT36.

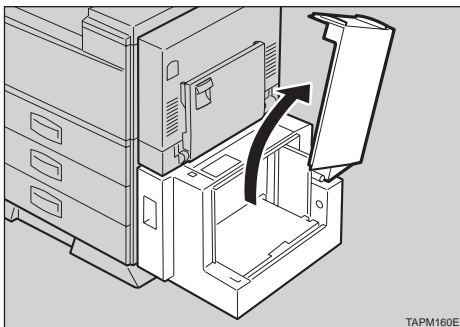
Reference

For more information on the size and feed direction of paper that can be set in the tray, see P.85 "Paper Types and Sizes".

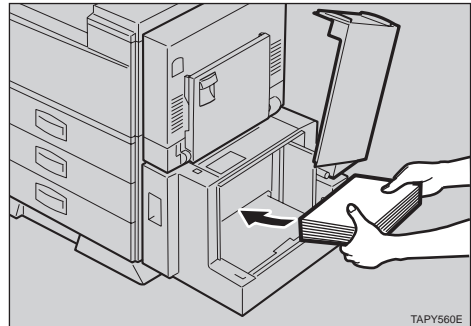
- 1** Check if the tray release button is lit. If it is not lit, press the button to lit it.



- 2** When the button stops blinking and is lit, open the top cover.



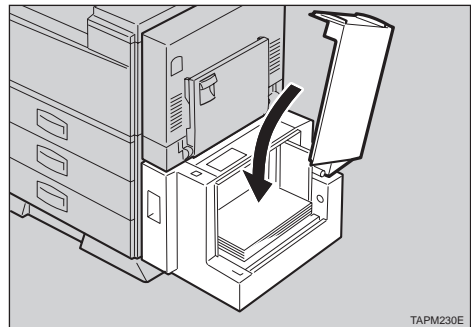
- 3** Load paper with the long-edge side of the paper pressing against the printer side.



Important

- Confirm the top of the stack is not higher than the limit mark inside the tray.





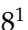
- 4** Close the top cover.



9. Troubleshooting

Error & Status Messages on the Operation Panel

Messages	Description	Comments
Add Staple	The staple is almost empty.	Replace the staple refill with a new one. ⇒ P.120 "Adding Staples"
Call Service SC###	An error has occurred in the printer.	Turn the printer power off and on. If the message appears again, contact your sales or service representative.
ChangeFeedRoller	It is time to replace the paper feed roller.	Contact your sales or service representative.
Change Maint.Kit	It is time to replace parts included in the Maintenance Kit.	Replace parts. For more information on the Maintenance Kit, see "Maintenance Kit Type 4500 Replacement Guide" that comes with the Kit.
Close Bridge Unit Cover	The cover of the bridge unit is open.	Close the cover of the bridge unit.
Close Duplex Unit	The duplex unit is open.	Close the duplex unit.
Close Finisher Cover	The cover of the finisher is open.	Close the cover of the finisher.
Close Front Cover	The front cover is open.	Close the front cover of the printer.
Close LCT Cover	The cover of the Large Capacity Tray RT36 is open.	Close the cover of the Large Capacity Tray RT36.
Close Mailbox Cover	The cover of the Mailbox CS360 is open.	Close the cover of the Mailbox CS360.
Close Right Cover	The right cover is open.	Close the right cover.
Close Right Lower Cover	The lower vertical paper feed is open.	Close the lower vertical paper feed cover.

Messages	Description	Comments
Error: Finisher	The stapler is damaged.	The stapler needs to be repaired. Contact your sales or service representative.
Load {paper size} Tray #	Tray # is empty.	Load {paper size} paper into Tray #. ⇒ P.93 "Loading Paper and Other Media"  Note <input type="checkbox"/> The paper size in millimeters is displayed as "(length×width)". For example "Load A4(297×210)" means "load A4  ", and "Load A4(210×297)" means "load A4  ". <input type="checkbox"/> Depending on the language you use, only the length may be displayed. If "Load A4(297×)" is displayed, load A4  . <input type="checkbox"/> If there is only one possible feed direction, depending on the language you use, the paper size in millimeters may not be displayed.
Low on Toner	The toner bottle is almost empty.	Prepare a new toner bottle. If the image density is too light, replace the old toner bottle with a new one. ⇒ P.127 "Replacing the Toner Bottle"
Misfeed:{location} Open Front Cover	There is a misfeed in the printer.	Remove the misfed papers from {location}. ⇒ P.108 "Removing Misfed Paper"
Open Duplex Side Tray	The right cover of the duplex unit is not open when making duplex printing on A3, B4 JIS, 11" × 17", or 8 1/2" × 14"  size paper.	Open the duplex unit right cover.
Punch Chips Full	The punch waste box is full.	Remove paper chips. ⇒ P.126 "Removing Paper Chips"
Remove Paper: Mailbox Proof	The mailbox tray is full.	Remove paper from the Mailbox CS360.

Messages	Description	Comments
Remove Paper: Shift Tray	The shift tray of the Finisher SR730 is full.	Remove paper from the shift tray.
Remove Paper: Standard Tray	The standard output tray is full.	Remove paper from the output tray.
Remove Paper: Staple Tray	There is paper in the stack unit of the finisher.	Remove paper from the stack unit of the finisher.
Replace Toner	The toner bottle is empty.	Replace the old toner bottle with a new one. ⇒ P.127 "Replacing the Toner Bottle"
Reset Fusing Unit Correctly	There is no fusing unit, or the fusing unit is not installed properly.	Install the fusing unit properly. For more information on the fusing unit, see the "Maintenance Kit Type 4500 Replacement Guide" that comes with the maintenance kit.
Reset Tray # Correctly	There is no paper tray, or Tray # is not set correctly.	Set the tray correctly.

 **Note**

- ❑ If you cannot solve the problem by taking the actions listed in the preceding table, turn the printer power off and then back on again. If this does not clear the error message, take a note of the contents and number of the error message and contact your sales or service representative.

Printer Doesn't Print

Possible Cause	Solutions
Is the power on?	If not, confirm that the cord is securely plugged into the power outlet and the printer. Turn on the printer power.
Does the On Line indicator stay on?	If not, press [On Line] to make it light up.
Does the Error indicator stay red?	If so, check the error message on the panel display and take the required action.
Is the paper set?	Load paper into the paper tray, the Large Capacity Tray RT36 or the bypass tray. ⇒ P.93 "Loading Paper and Other Media"
Can you print a test page (configuration page)?	If you can't print a test page, it probably indicates printer malfunction. You should contact your sales or service representative. If you can print a test page but cannot get the printer to print when you issue a print command from your computer, it probably means there is a problem with your computer. Also keep it in mind that large, complex data might take long time for printer process.
Is the parallel cable between the printer and your computer connected securely?	Connect the parallel cable correctly. If there are any connectors or screws, confirm they are fastened securely.
Are you using a correct parallel cable?	The type of parallel cable you should use depends on your computer. Be sure to use the correct one. ⇒ P.154 "Specifications" If the cable is damaged or worn, replace it with a new one.
When printing with PostScript in a network, data is received by the printer, but is not printed.	<ul style="list-style-type: none"> ❖ Windows 95/98 On the [PostScript] tab of the Printer Properties, click [Advanced] and then uncheck both [Send CTRL+D before job] and [Send CTRL+D after job]. ❖ Windows 3.x Click the [PostScript] tab of the Printer Setting dialog box. From [Protocol Options], select [None]. ❖ Windows NT 4.0 Open the [Advanced] tab of the Printer Properties. From [PostScript Options], select [No] for both [Send CTRL-D Before Each job:] and [Send CTRL-D After Each job:].

Possible Cause	Solutions
<p>If you print using PostScript driver, printing does not start or is interrupted.</p>	<p>The data is cleared when the Job Timeout period is exceeded.</p> <ul style="list-style-type: none"> ❖ Windows 95/98 Set a longer [Job Timeout] period with the [PostScript] tab of the Printer Properties. ❖ Windows 3.1x Set a longer [Job Timeout] period with the [PostScript] tab of the Printer Setting dialog box. ❖ Windows NT 4.0 Set a longer [Job Timeout] period with the [Device Settings] tab of the Printer Properties.
	<p>A PostScript error might occur if there is not enough memory in the printer, or there are errors in the print data sent to the printer.</p> <ul style="list-style-type: none"> • In some cases, increasing the memory may solve this problem. Install a memory unit (SIMM). For more information on the memory, see P.14 <i>"Installing the Memory Unit"</i>.
	<p>The print job might be reset. Do the following.</p> <ul style="list-style-type: none"> • Confirm that you have selected the correct printer driver. Try printing again. • Set a longer Wait Timeout. <ul style="list-style-type: none"> ❖ Windows 95/98 Set a longer [Wait Timeout] period with the [PostScript] tab of the Printer Properties. ❖ Windows 3.1x Set a longer [Wait Timeout] period with the [PostScript] tab of the Printer Setting dialog box. ❖ Windows NT 4.0 Set a longer [Wait Timeout] period with the [Device Settings] tab of the Printer Properties. ❖ Macintosh You can specify a longer [I/O Timeout] period on the printer's operation panel. ⇒ P.129 <i>"Using the Operation Panel"</i>

Possible Cause	Solutions
<p>Is the Data In indicator blinking or lit after starting the print job, when using the PCL printer?</p>	<p>If not, the data is not being sent to the printer. Or the printer may be resetting the print job because there was a long delay in receiving the data from the computer.</p> <ul style="list-style-type: none"> ❖ If the printer is using "I/O Timeout" Increase the value of the "I/O Timeout" setting of the "System" menu of the "Job Control". ⇒ P.129 <i>"Using the Operation Panel"</i> ❖ If your printer is connected to the computer using the parallel cable Confirm that the printer port settings are correct. For a parallel port connection, port LPT1 or LPT2 should be set. For more information on the printer port settings, see the Note after this table. ❖ Network Connection Contact your network administrator.

 **Note**

- **Windows 95/98**

- ① Click **[Start]**, point to **[Settings]**, and then click **[Printers]**.
- ② Select the icon of the printer by clicking it. Next, on the **[File]** menu, click **[Properties]**.
- ③ Click the **[Details]** tab.
- ④ Check the **[Print to the following port:]** list box to confirm the correct port is selected.

- **Windows 3.1x**

- ① On **[Control Panel]**, double-click the **[Printers]** icon.
- ② Confirm that this printer is specified as the default printer.
- ③ Click **[Connect]**.
- ④ Check the **[Ports]** list box to confirm the correct port is selected.

- **Windows NT 4.0**

- ① Click **[Start]**, point to **[Settings]**, and then click **[Printers]**.
- ② Select the icon of the printer by clicking it. Next, on the **[File]** menu, click **[Properties]**.
- ③ Click the **[Port]** tab.
- ④ Confirm that the correct port is selected.


- **Macintosh**

- ① Click **[Apple Menu]**, point to **[Control Panels]**, and then select **[Apple Talk]**.
- ② Confirm that **[Ethernet]** is selected in the **[connect via:]** list box.

Other Printing Problems

Status	Possible Causes, Descriptions, and Solutions
Printed side is dirty.	Adjust the image density correctly. ⇒ P.129 <i>“Using the Operation Panel”</i>
	If paper is curled, correct it.
The back side of the printed output is dirty.	Check if the size specified with the dial matches that specified with the operation panel. If not, specify the correct size that matches the size and feed direction of the paper loaded in the tray. If you print something after printing on the paper whose size is smaller than the actual document size, the back side of the next output might get dirty. ⇒ P.93 <i>“Loading Paper and Other Media”</i>
Image quality varies when printing on thick paper or on OHP transparencies.	Set to Thick Paper or OHP Sheet mode in the “Bypass Pap.Type” menu. ⇒ P.129 <i>“Using the Operation Panel”</i>
Print image is not clear.	Set the image density to darker. ⇒ P.129 <i>“Using the Operation Panel”</i>
	If the Toner Saving mode is specified using the operation panel, the whole image gets lighter. See the driver's online help file.
Some parts of the print image are not clear.	Due to a sudden change in temperature, condensation might appear inside the machine, and reduce the print quality. If this occurs when you move the printer from a cold room to a warmer room, don't use the printer until it gets used to the temperature.
Image is printed on the reverse side of the paper.	Set the paper upside down.
Paper misfeeds occur frequently.	Check the paper size settings. The size specified with the paper size dial might be different from the actual paper size. Make the correct dial setting. ⇒ P.93 <i>“Loading Paper and Other Media”</i>
	Use the recommended paper. Avoid using curled, folded, or wrinkled paper, perforated paper, or glossy paper. ⇒ P.91 <i>“Paper not supported by this printer”</i>
	Confirm that the side guides and the rear guide of the paper tray are set in place. ⇒ P.93 <i>“Loading Paper and Other Media”</i>

Status	Possible Causes, Descriptions, and Solutions
Operation panel error message stays on after removing the misfed paper.	Open the front cover of your printer and then close it. Be sure to close the lower vertical paper feed cover. ⇒ P.108 <i>“Removing Misfed Paper”</i>
Desired tray isn't used for the output.	Check the paper size settings. The size specified with the paper size dial might be different from the actual paper size. Make the correct dial setting. ⇒ P.93 <i>“Loading Paper and Other Media”</i>
	When you are using a Windows operating system, the printer driver settings overrides those specified using the operation panel. Specify the desired output tray using the printer driver. See the driver's online help file.
The printed image is different from the image in the computer.	When you use some features such as enlargement and reduction, the layout of the image might be different from those shown in the computer display. Before printing, use the print preview to see how the page will look when printed. If necessary, adjust the settings.
It takes too much time to resume printing.	The data is so large or complex that it takes time to process it. If the Data In indicator is blinking, the data processing is being done. Just wait until it resumes.
	Energy Saver mode might be enabled. In Energy Saver mode, it takes time for the machine to warm up. ⇒ P.129 <i>“Using the Operation Panel”</i>
Image is printed in the wrong orientation.	Specify the correct orientation under the “PCL Menu” with the operation panel. ⇒ P.129 <i>“Using the Operation Panel”</i>
Part of the image cannot be printed.	A paper size which is smaller than those specified in the application is used for printing. Load the correct size of paper. If you can't select the paper size specified in the application, make use of the zooming features. See the driver's online help file.
Network configurations you have made do not become effective.	Turn the printer power off and on. The network configuration page of the Network Interface Board will be printed automatically. Check the configuration of the Network Interface Board with this page.
The output from the Finisher SR730 is curled and a paper misfeed has occurred with the Finisher SR730.	A paper misfeed may have occurred because of curled paper in the output tray. If the paper output is curled, remove the paper from the paper tray and load it again after turning it over.
The print resolution of the printed image is lower than what you set.	The memory installed on the printer is insufficient. Increase the printer's memory.

Status	Possible Causes, Descriptions, and Solutions
<p>Windows 95/98/NT 4.0:</p> <p>The computer doesn't recognize the installed printer options.</p>	<p>If connections to the printer is not bi-directional, the computer doesn't recognize the installed printer options.</p> <p>In this case specify which options you have installed using the printer driver.</p> <p> Reference</p> <p>For more information on setting options for the printer driver. ⇒ P.51 <i>“Installing the PCL 6/5e Printer Driver”</i>, P.59 <i>“Installing the PostScript Printer Driver”</i></p>
<p>Windows 3.1x:</p> <p>The printer can't send the print job.</p>	<p>The memory buffer might be full. Remove the check mark from the [Use Print Manager] check box, or make the timeout setting longer.</p>

 **Note**

- If the problem cannot be solved, contact your sales or service representative.

Removing Misfed Paper

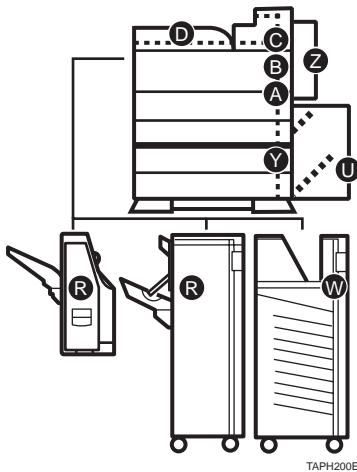
When a paper misfeed occurs, an error message appears on the panel display. The procedure you should follow to remove the misfed paper depends on the location of the misfeed, which is indicated on the panel display.

⚠ CAUTION:

- When removing misfed paper, do not touch the fusing section because it becomes very hot.

🔧 Important

- More than one misfed areas might be indicated. In this case, check every applicable area. See the following charts shown in the illustration.

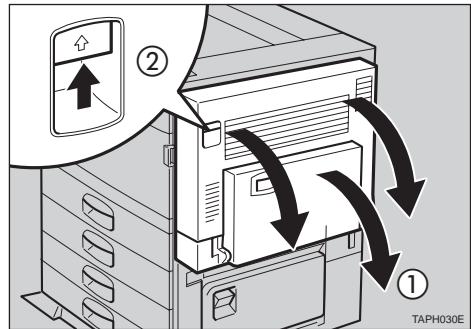


- If paper continues to misfeed, check the following points.
 - Confirm that the setting of the paper size dial matches the size and feed direction of the paper loaded in the paper tray.
 - Confirm that the toner bottle is set correctly.

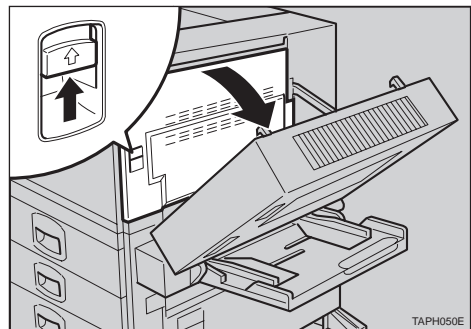
- If paper misfeed still occurs, contact your sales or service representative.
- Do not leave any torn paper scraps within the printer.

When "Misfeed:A" Appears

- 1 Open the bypass tray (①). And then open the duplex unit by pushing the catch upwards (②).

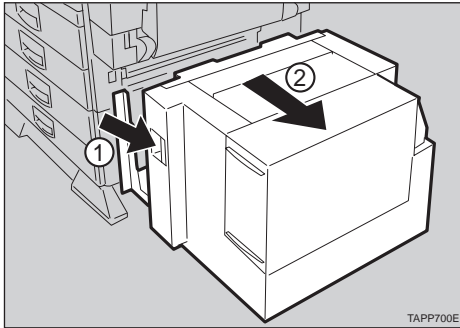


- 2 Open the right cover by pushing the catch upwards.

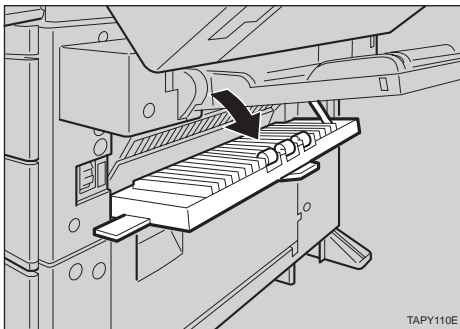


Note

- If the optional Large Capacity Tray RT36 is equipped with your printer, pull the lever (①) to extend the connecting unit (②).



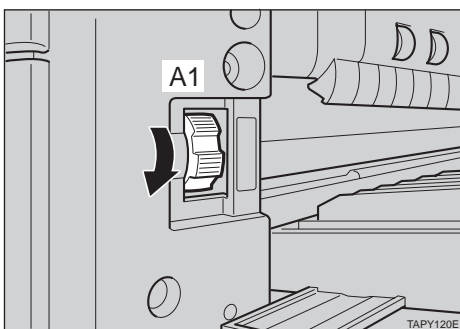
- 3** Open the upper vertical paper feed cover.



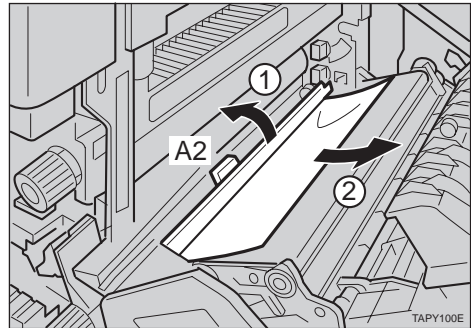
Note

- If your printer is equipped with the optional Large Capacity Tray RT36, the upper vertical paper feed cover is removed.

- 4** Turn the blue knob A1 downwards.



- 5** While lifting the blue lever A2 in the right cover (①), remove the misfed paper (②).

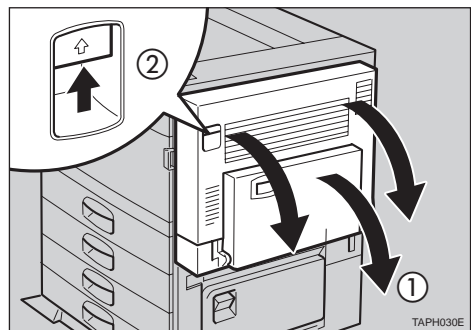


- 6** Close the covers in the following order:

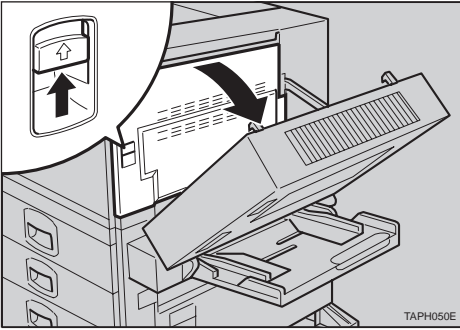
- The upper vertical paper feed cover
- The right cover
- The duplex unit
- The bypass tray

When "Misfeed:B" Appears

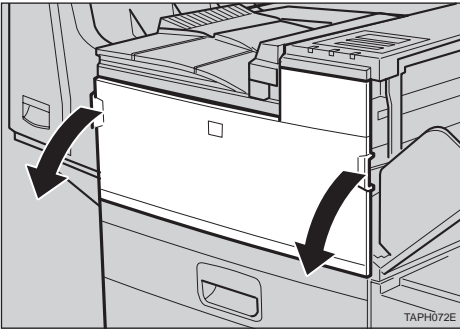
- 1** Open the bypass tray (①). And then open the duplex unit by pushing the catch upwards (②).



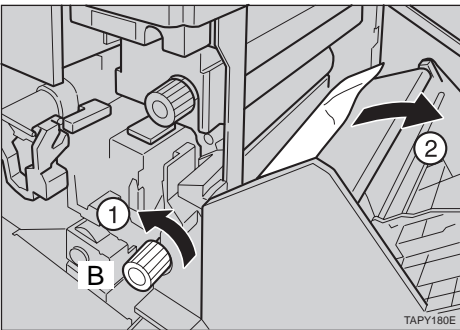
2 Open the right cover by pushing the catch upwards.



3 Open the front cover.



4 Turn the blue knob B counter-clockwise (1) and remove the misfed paper from inside of the right cover (2).

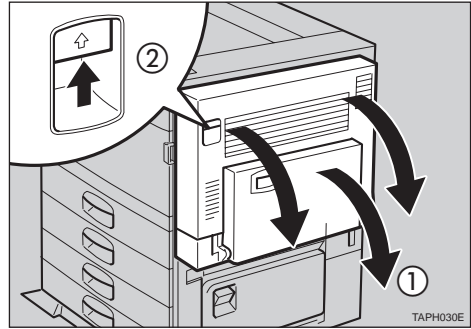


5 Close the covers in the following order:

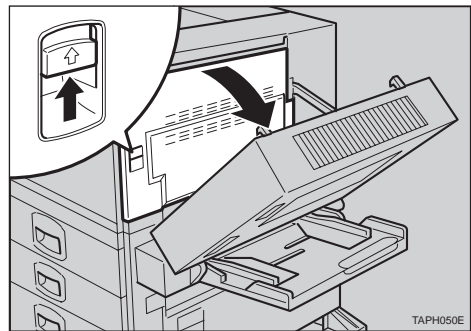
- The right cover
- The duplex unit
- The bypass tray
- The front cover

When "Misfeed:C" Appears

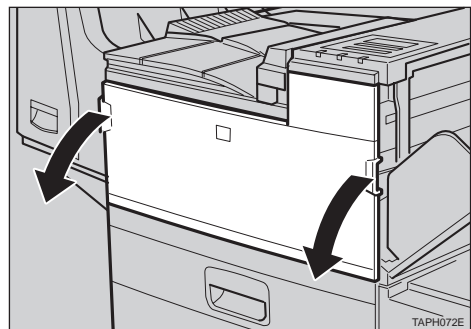
1 Open the bypass tray (1). And then open the duplex unit by pushing the catch upwards (2).



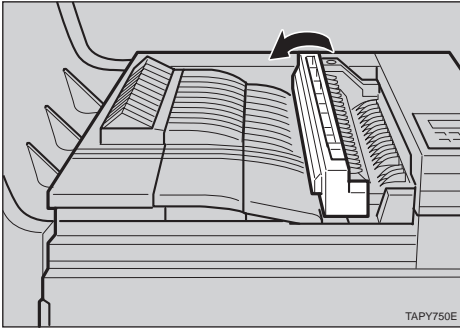
2 Open the right cover by pushing the catch upwards.



3 Open the front cover.

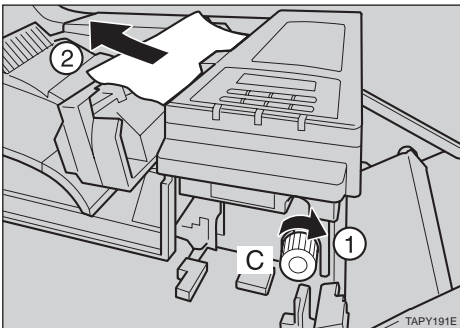


- 4** Open the output feeder cover of the bridge unit.

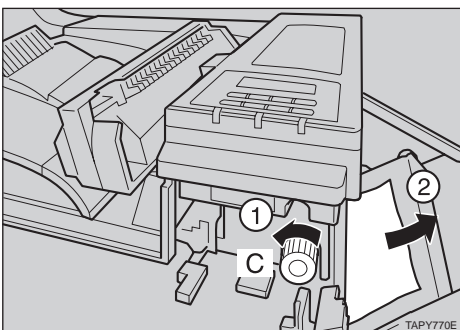


- 5** Remove the misfed paper by turning the blue knob C as shown in the illustration.

If you turn the blue knob C clockwise (①), the misfed paper comes out to the output tray (②).



If you turn the blue knob C counterclockwise (①), remove the misfed paper from inside of the right cover (②).

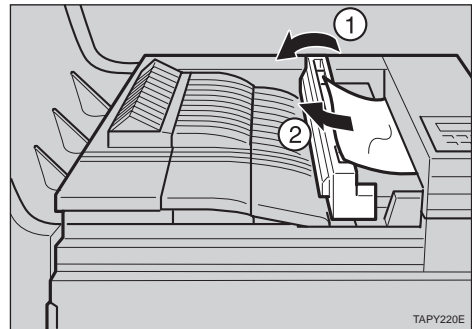


- 6** Close the covers in the following order:

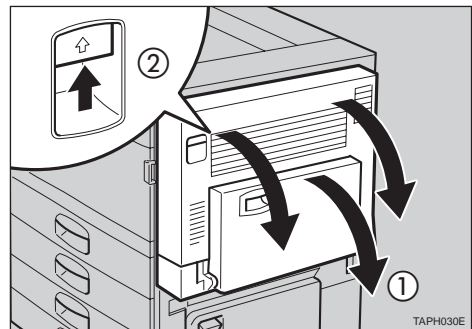
- The right cover
- The duplex unit
- The bypass tray
- The front cover
- The output feeder cover

When "Misfeed:D" Appears

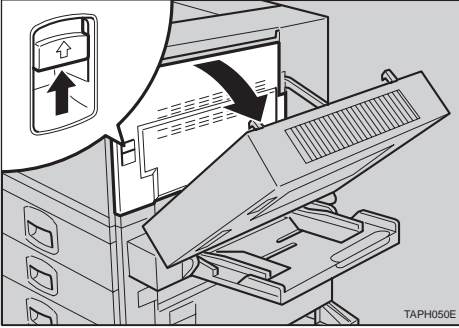
- 1** Open the output feeder cover of the bridge unit (①), and remove the misfed paper (②).



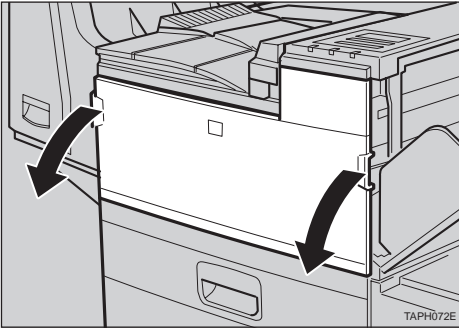
- 2** Open the bypass tray (①). And then open the duplex unit by pushing the catch upwards (②).



3 Open the right cover by pushing the catch upwards.

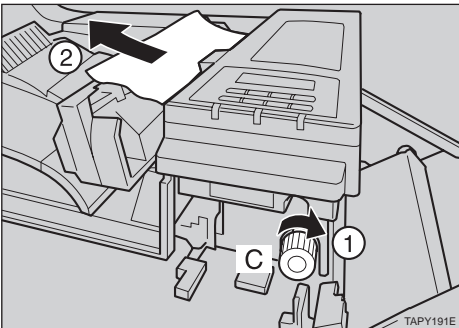


4 Open the front cover.

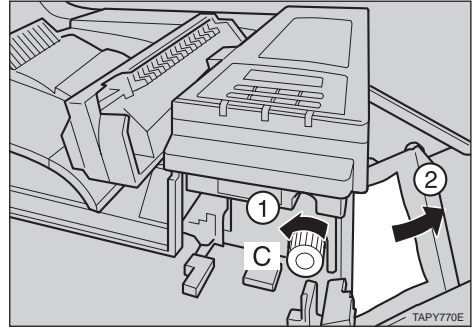


5 Remove the misfed paper by turning the blue knob C as shown in the illustration.

If you turn the blue knob C clockwise (1), the misfed paper comes out to the output tray (2).



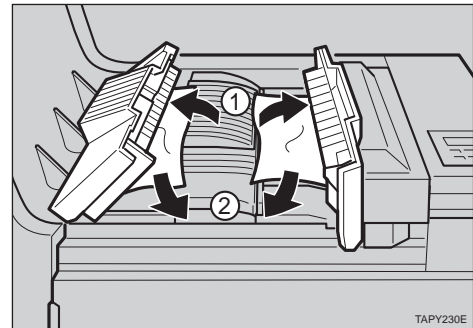
If you turn the blue knob C counterclockwise (1), remove the misfed paper from inside of the right cover (2).



6 Close the covers in the following order:

- The right cover
- The duplex unit
- The bypass tray
- The front cover
- The output feeder cover

7 Open the covers of the bridge unit (1) and remove the misfed paper (2).

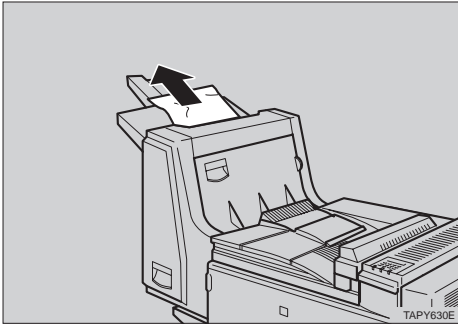


8 Close the cover of the bridge unit.

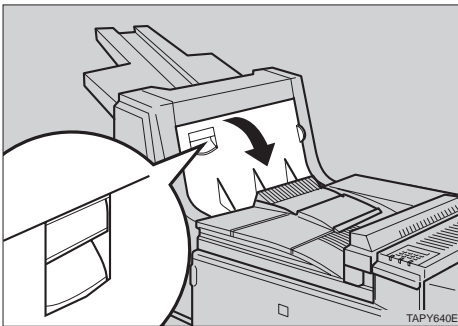
When "Misfeed:R" Appears

Finisher SR720

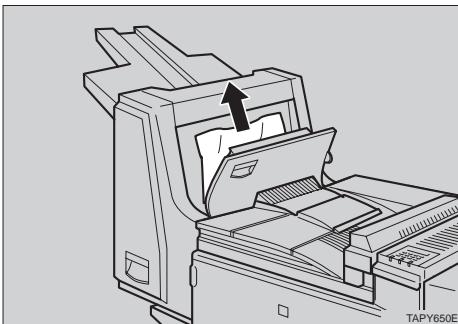
- 1 Remove the misfed paper from the output tray of the Finisher SR720.



- 2 If you cannot remove the misfed paper in step 1, open the right cover of the Finisher SR720.

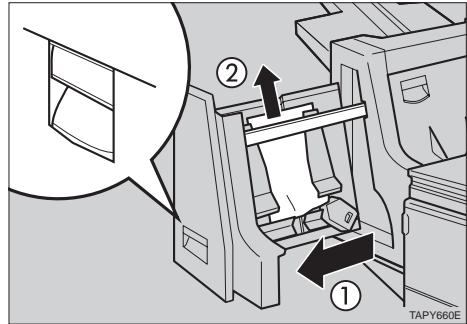


- 3 Remove the misfed paper.



- 4 Close the right cover of the Finisher SR720.

- 5 If you cannot remove the misfed paper in step 3, slide the stack unit of the Finisher SR720 out (1) and remove the misfed paper (2).



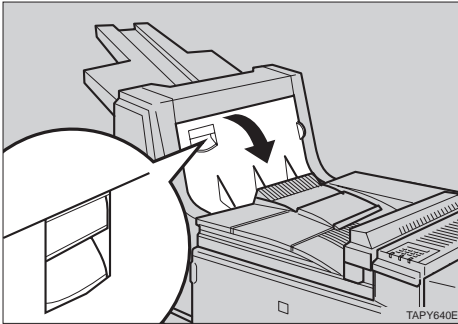
- 6 Slide the stack unit into the Finisher SR720 until it stops.

Finisher SR730

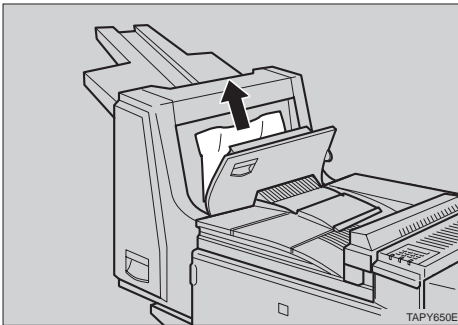
- 1 Open the front cover of the Finisher SR730.



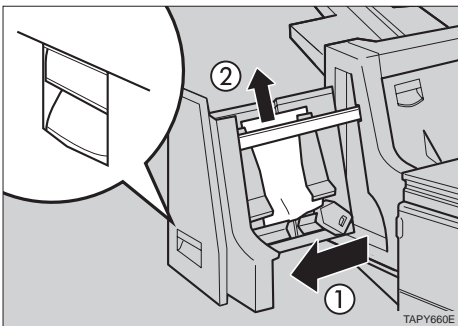
2 While pushing the blue lever R1 upwards (①), remove the misfed paper (②).



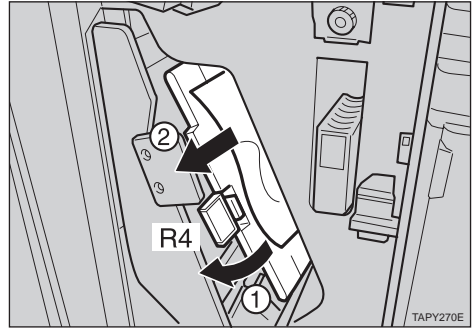
3 If you cannot remove the misfed paper in step 2, remove the misfed paper (①) while pushing the blue lever R2 downwards in a clockwise direction (②).



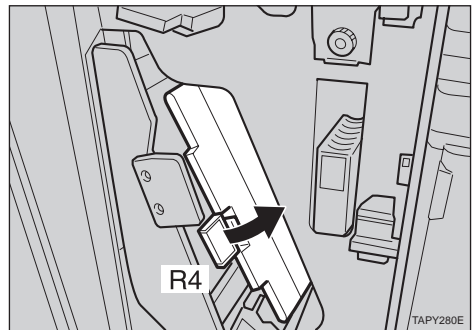
4 While pushing the blue lever R3 upwards in a clockwise direction (①), remove the misfed paper (②).



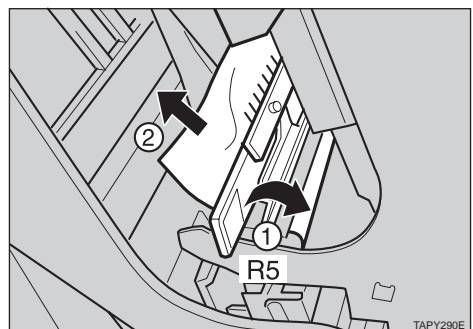
5 Push the lever R4 to the left (①) and remove the misfed paper (②).



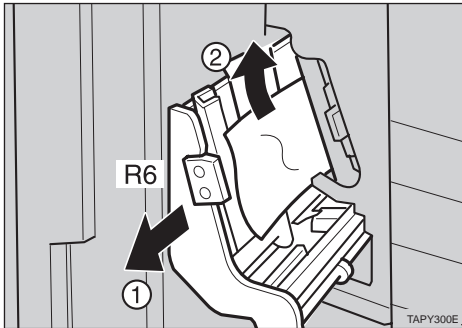
6 Return the blue lever R4 to its original position.



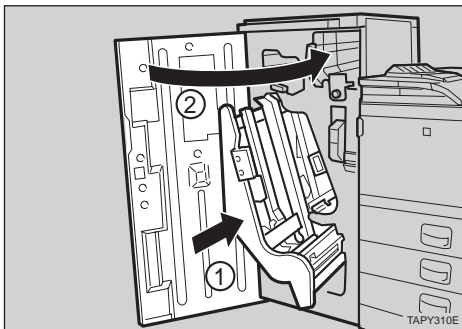
7 If you cannot remove the misfed paper in step 6, remove it (②) while pushing the blue lever R5 upwards in a clockwise direction (①).



- 8** Hold the blue lever R6 and pull out the stack unit (①), then remove the misfed paper (②).

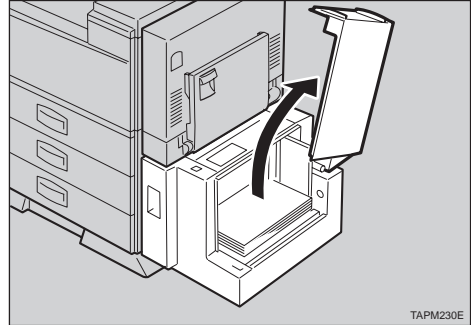


- 9** Return the stack unit to its original position (①) and close the front cover of the Finisher SR730 (②).

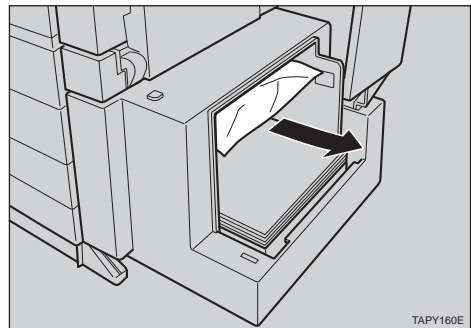


When "Misfeed:U" Appears

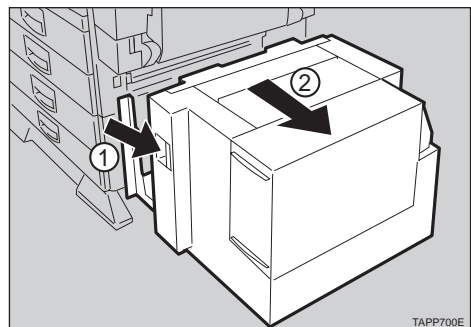
- 1** Open the top cover of the Large Capacity Tray RT36.



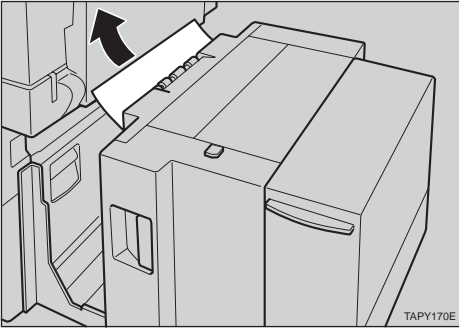
- 2** Remove the misfed paper.



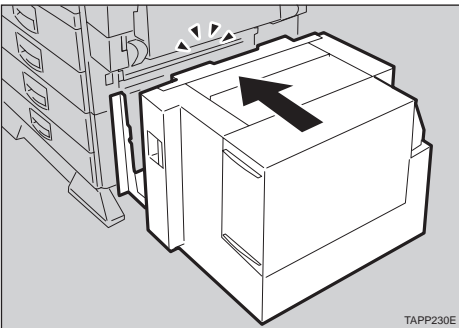
- 3** If you cannot remove the misfed paper in step 2, close the top cover of the Large Capacity Tray RT36 and pull the lever (①) to extend the connecting unit (②).



- 4** Remove the misfed paper from the left side of the Large Capacity Tray RT36.



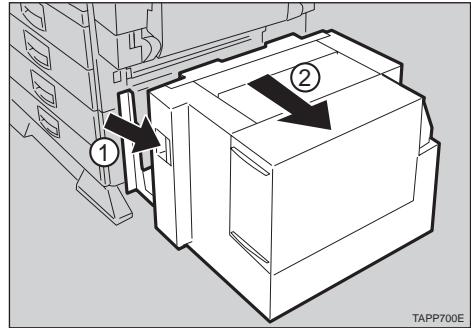
- 5** Slide the Large Capacity Tray RT36 forward to connect it to the printer.



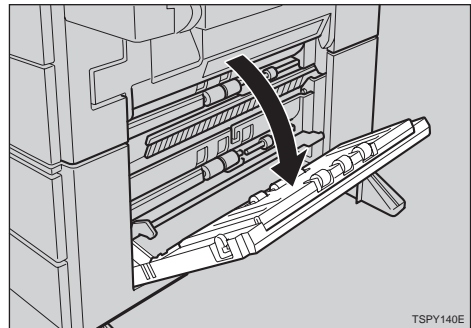
When "Misfeed:Y" Appears

Note

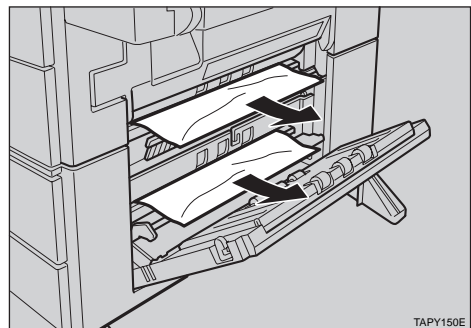
- If your printer is equipped with the optional Large Capacity Tray RT36, pull the lever (1) to extend the connecting unit (2).



- 1** Open the lower vertical paper feed cover.



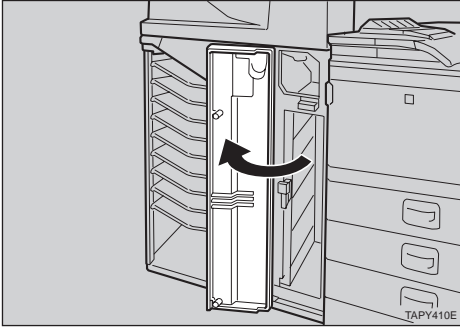
- 2** Remove the misfed paper.



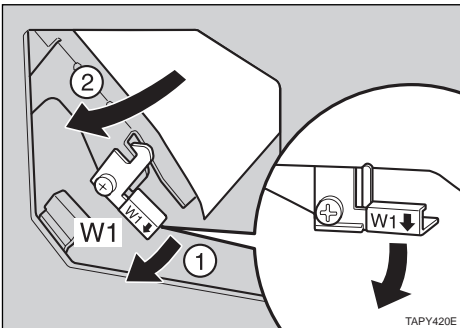
- 3** Close the lower vertical paper feed cover.

When "Misfeed:W" Appears

- 1 Open the front cover of the Mailbox CS360.

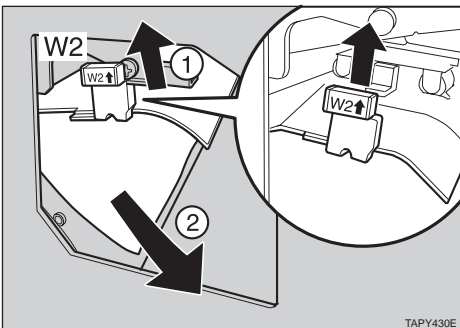


- 2 Push the blue lever W1 downwards to open the cover inside (1). Then remove the misfed paper (2).

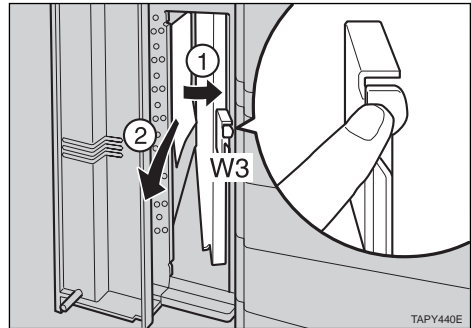


- 3 While pushing the blue lever W1 downwards, return the cover to its original position.

- 4 While opening the W2 cover (1), remove the misfed paper (2).

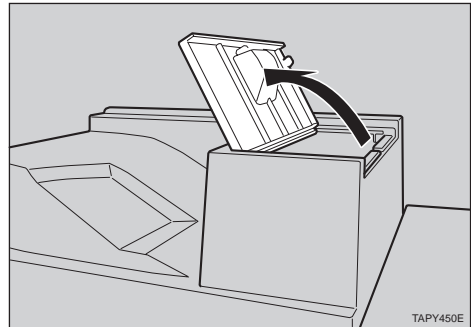


- 5 Push the blue button W3 to open the cover (1), then remove the misfed paper (2).

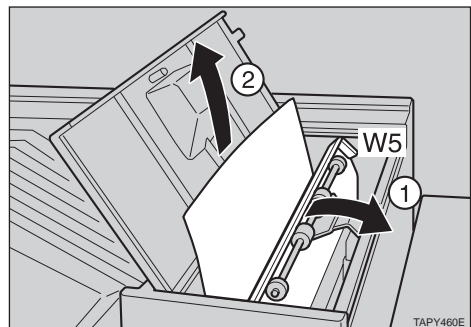


- 6 Close the cover and press it down until it clicks into place.

- 7 Open the top cover of the Mailbox CS360.

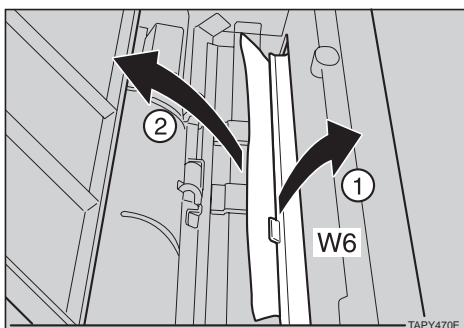


- 8 Pull the blue lever W5 to the right to open the cover (1), then remove the misfed paper (2).

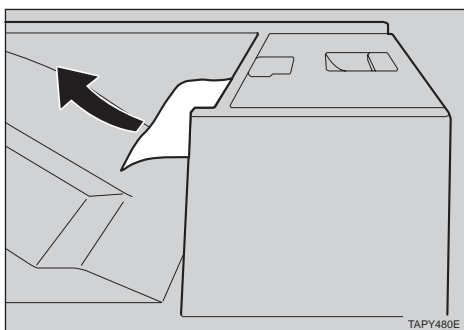


- 9 Return the cover to its original position.

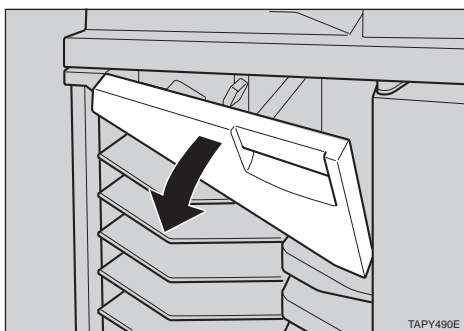
- 10** While pulling the blue lever W6 upwards (①), remove the misfed paper (②).



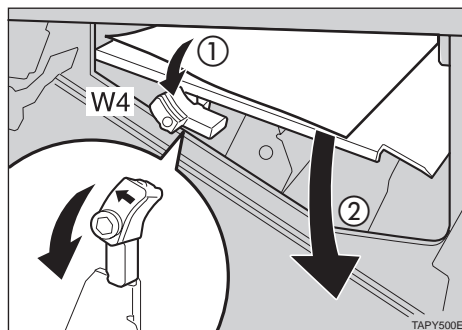
- 11** Remove the misfed paper from the output tray.



- 12** If your printer is equipped with both the Finisher SR730 and the Mailbox CS360, open the triangular cover on the front of the Mailbox CS360.



- 13** Turn the blue lever W4 counter-clockwise to open the cover (①), then remove the misfed paper (②).

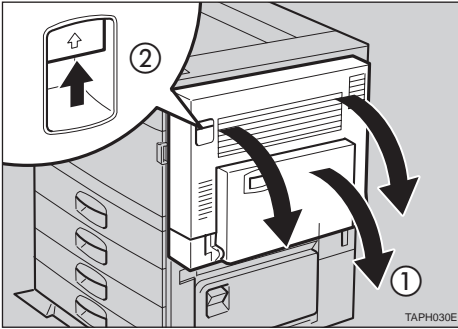


- 14** Turn the blue lever W4 clockwise to return the cover to its original position.

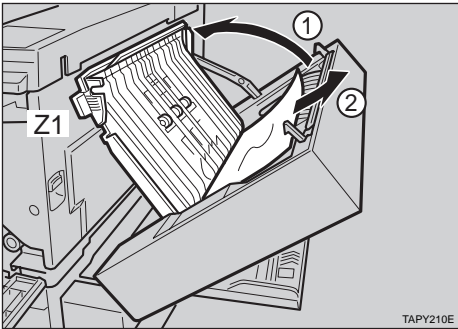
- 15** Close the triangular cover and the front cover of the Mailbox CS360.

When "Misfeed:Z" Appears

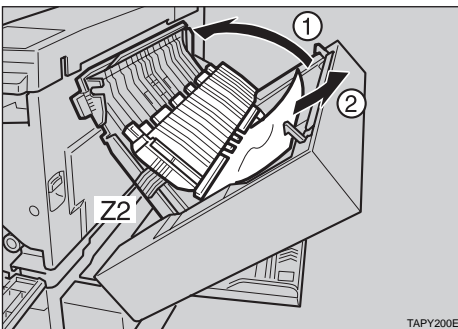
- 1 Open the bypass tray (①). And then open the duplex unit by pushing the catch upwards (②).



- 2 Open the cover Z1 to the left (①), and remove the misfed paper (②).



- 3 If you cannot remove the misfed paper in step 2, remove it (②) while opening the cover Z2 to the left (①).



- 4 Close the covers in the following order:

- The cover Z2
- The cover Z1
- The duplex unit
- The bypass tray

Adding Staples

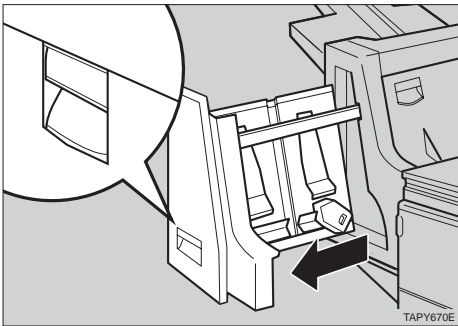
When “Add Staple” appears on the panel display, the staples have almost run out. Follow these steps to add a new staple refill.

Note

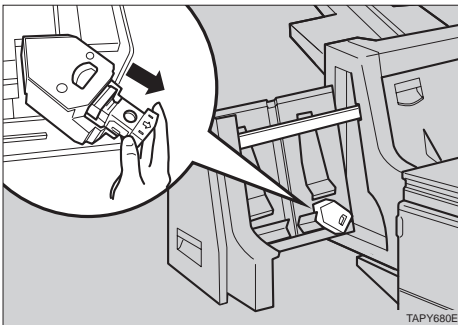
- ❑ After adding the staple refill, staples might not be ejected for the first few times.

Finisher SR720

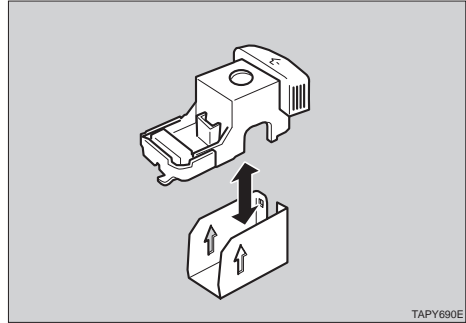
- 1** Slide the stack unit of the Finisher SR720 out until it stops.



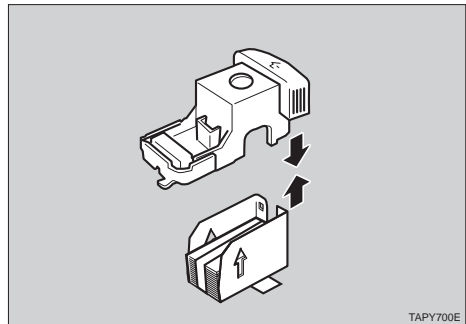
- 2** Remove the staple cartridge.



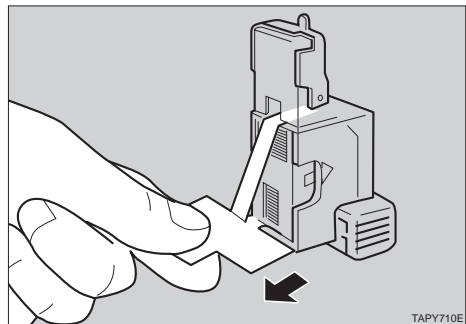
- 3** Remove the empty refill case (white).



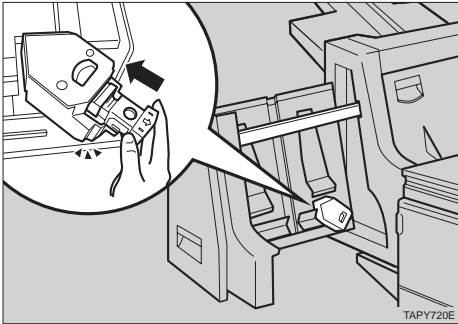
- 4** Add a new refill and align the arrows on the refill case and the cartridge, and push the refill case in until it clicks.



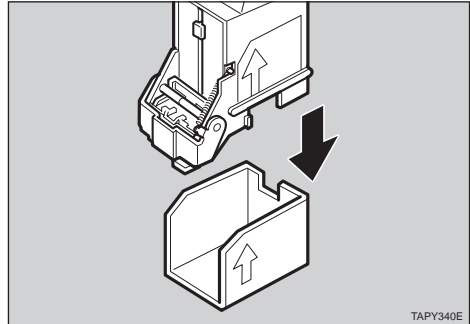
- 5** Pull out the ribbon from the bottom of the refill case.



- 6** Slide the cartridge in until it clicks.



- 3** Remove the empty refill case (white).

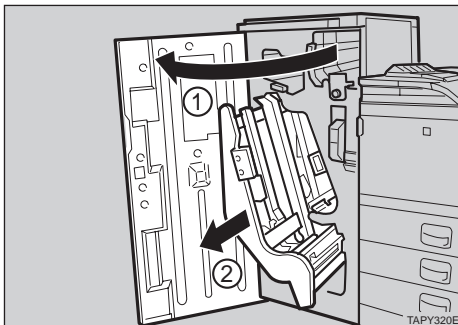
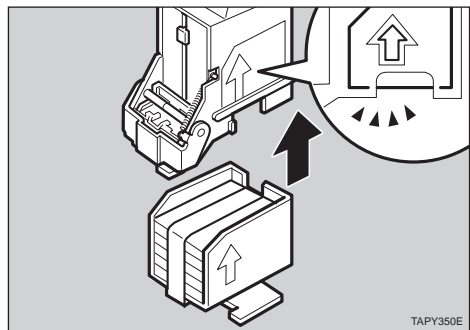


- 7** Slide the stack unit into the Finisher SR720.

- 4** Add a new refill and align the arrows on the refill case and the cartridge, and push the refill case in until it clicks.

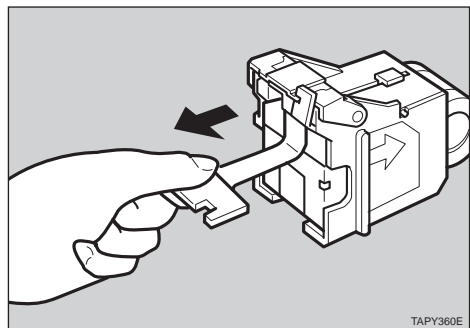
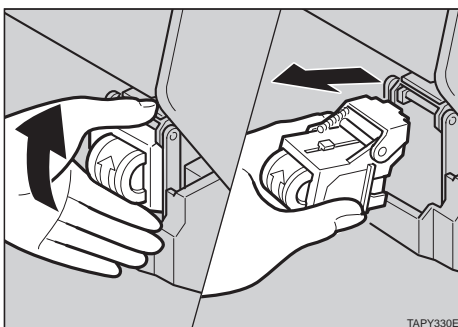
Finisher SR730

- 1** Open the front cover of the Finisher SR730 (①), and slide the stack unit out until it stops (②).

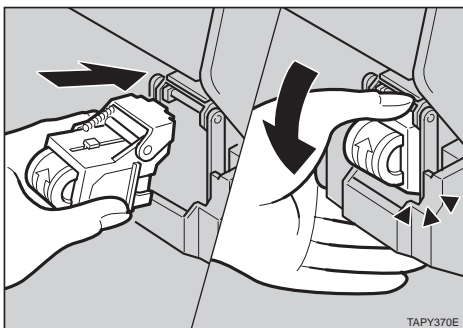


- 2** Lift the staple cartridge until it clicks, then remove the cartridge gently.

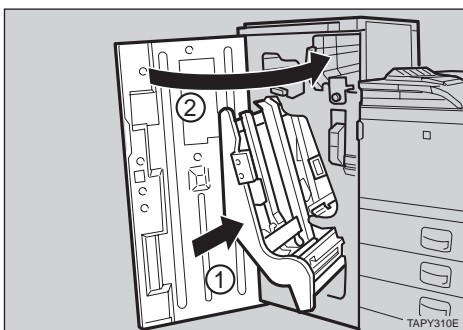
- 5** Pull out the ribbon from the bottom of the refill case.



- 6 Reinstall the cartridge, and press down on the cartridge until it clicks into place.



- 7 Slide the stack unit into the Finisher SR730 (1), and close the cover (2).



Removing Jammed Staples

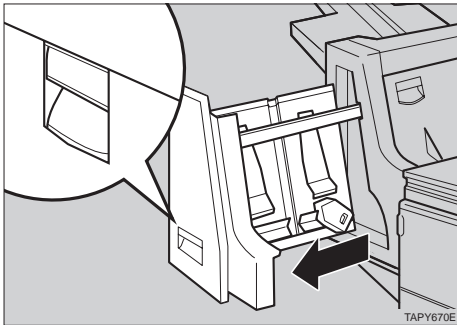
If staples do not ejected properly, they might be jammed.

Note

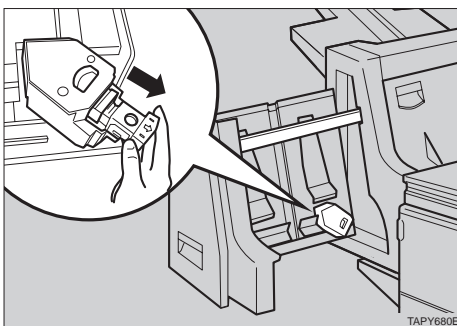
- ❑ Staples might be jammed because of curled paper. In this case, try turning the paper over in the tray.
- ❑ After removing the jammed staples, staples might not be ejected for the first few times.

Finisher SR720

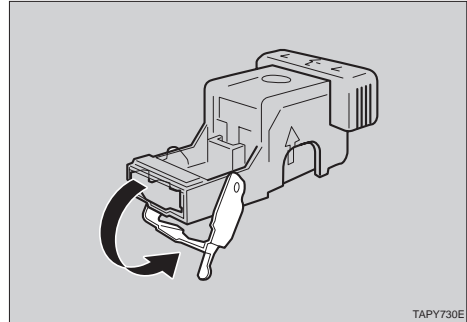
1 Slide the stack unit of the Finisher SR720 out until it stops.



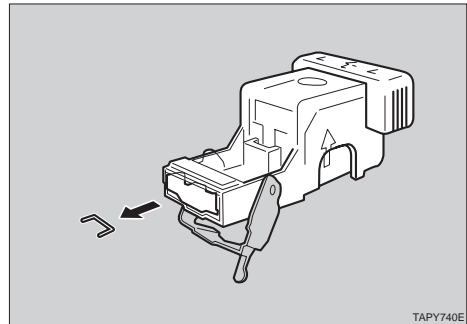
2 Remove the staple cartridge.



3 Open the face plate.

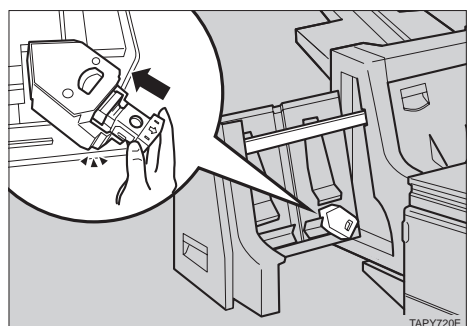


4 Remove the jammed staples.



5 Close the face plate.

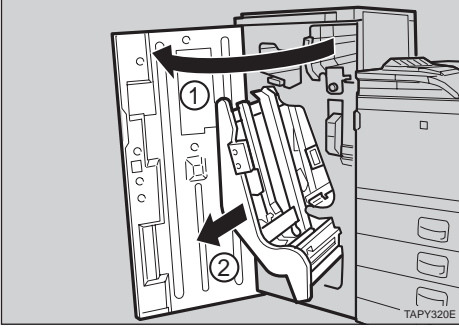
6 Slide the staple cartridge in until it clicks.



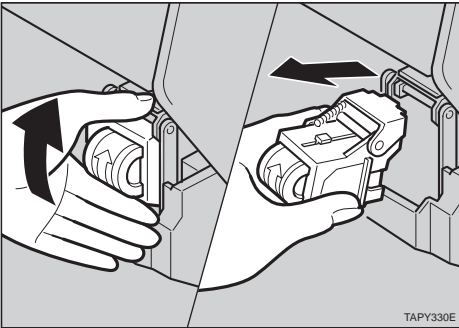
7 Slide the stack unit into the Finisher SR720.

Finisher SR730

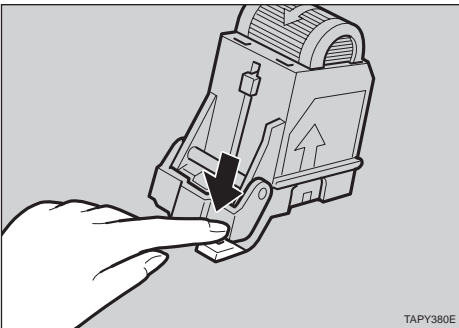
- 1 Open the front cover of the Finisher SR730 (①), and slide the stack unit out until it stops (②).



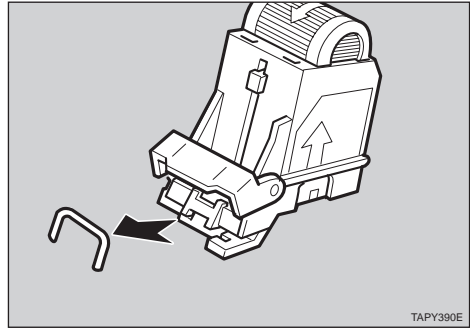
- 2 Lift the staple cartridge until it clicks, then remove the cartridge gently.



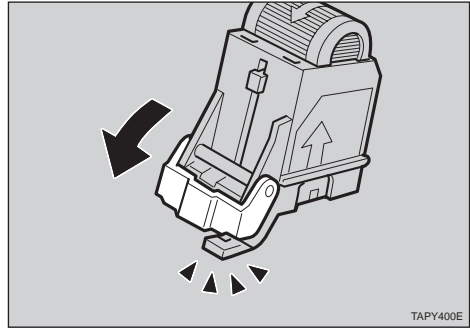
- 3 Press the face plate lock down to open the face plate.



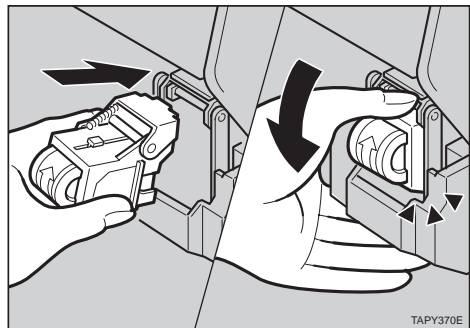
- 4 Remove the jammed staples.



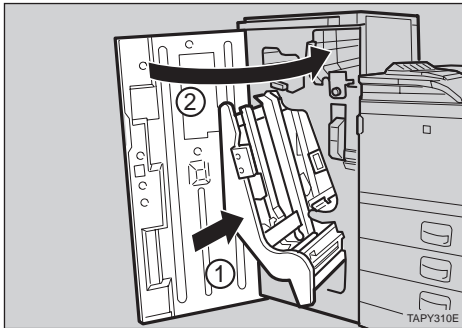
- 5 Close the face plate by pressing it down until it clicks into place.



- 6 Reinstall the cartridge, and press the cartridge down until it clicks into place.



- 7 Slide the stack unit into the Finisher SR730 (①), and close the cover (②).



Removing Paper Chips

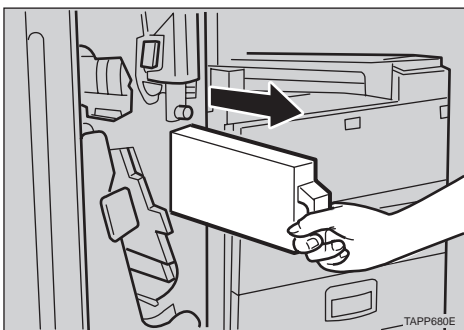
When “Punch Chips Full” appears on the panel display, the punch waste box is full. Follow these steps to remove paper chips.

4 Close the front cover of the Finisher SR730.

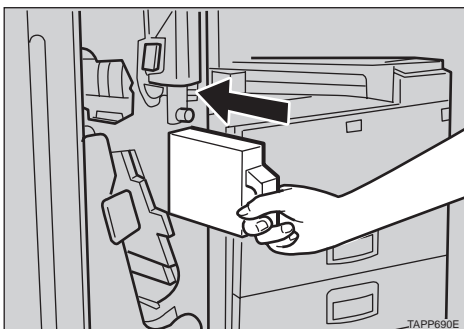
1 Open the front cover of the Finisher SR730.



2 Pull out the punch waste box and remove the paper chips.



3 Reinstall the punch waste box.



Replacing the Toner Bottle

⚠ **WARNING:**

- **Do not incinerate toner (used or unused) or toner containers. Toner dust is flammable and might ignite when exposed to an open flame.**
- **Disposal should take place at an authorized dealer or appropriate collection site.**
- **If you dispose of the used toner containers yourself, follow local regulations.**

⚠ **CAUTION:**

- *The inside of the machine becomes very hot. Do not touch the parts with a label indicating a "hot surface". Touching a "hot surface" could result in a burn injury.*
- *Do not eat or swallow toner.*
- *Keep toner (used or unused) and toner containers out of reach of children.*
- *Our products are engineered to meet the highest standards of quality and functionality. When purchasing expendable supplies, we recommend using only those specified by an authorized dealer.*

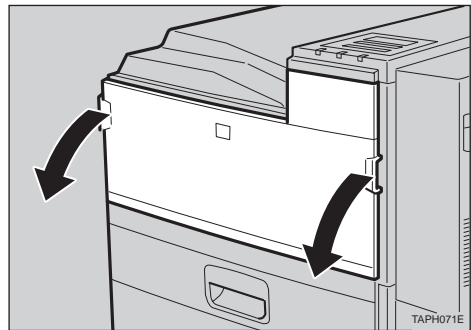
When "Low on Toner" appears on the panel display, the toner has almost run out. Prepare a new toner bottle. If the image density is too light, replace the old toner bottle with a new one.

When "Replace Toner" appears on the panel display, the toner bottle is empty. Prepare a new toner bottle and replace the old toner bottle with a new one.

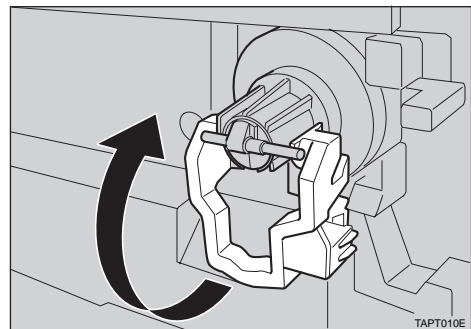
📌 **Note**

- ❑ The actual number of printed pages you get from a particular toner bottle depends on the type and size of paper you are using, the contents of your print images, and printing environment conditions.

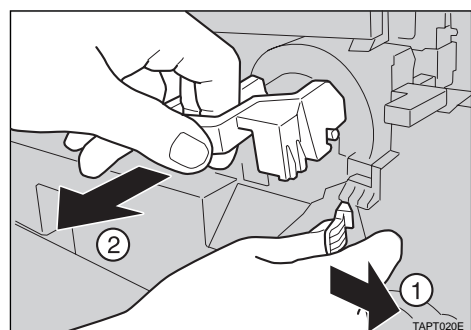
1 Open the front cover.



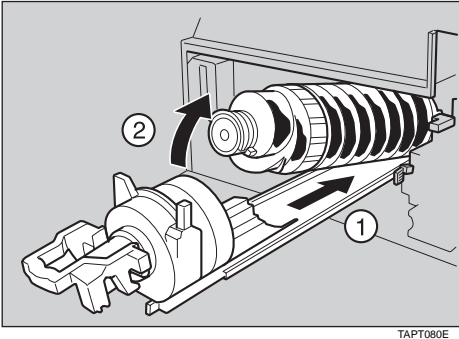
2 Lift the green handle.



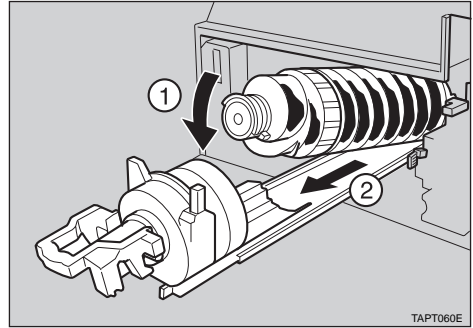
3 While pushing the green lever to the right (1), hold the handle and gently slide the toner holder out (2).



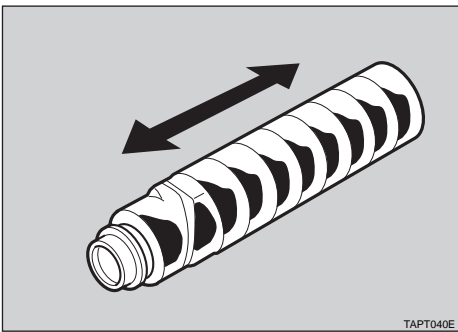
4 Press the toner bottle backward (①) to raise its head (②), then gently pull out the bottle.



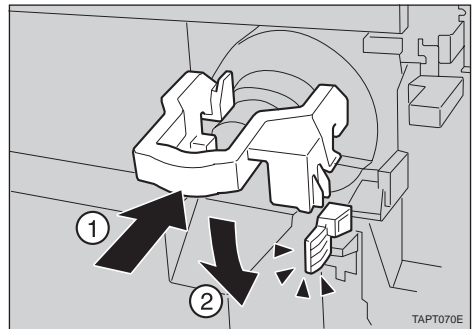
7 Place the toner bottle on the toner holder (①), then pull its head toward you (②) to lock it in place.



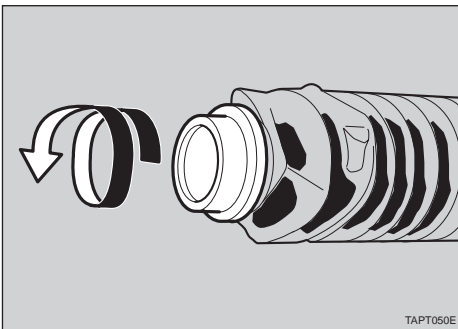
5 Move the new toner bottle back and forth about 5 - 6 times as shown in the illustration.



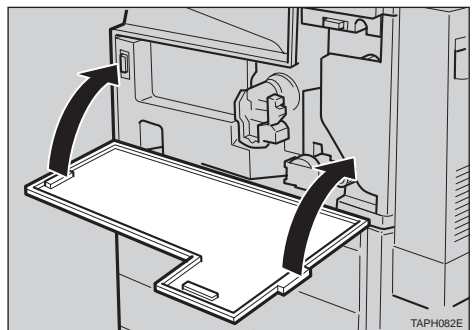
8 Slide the toner holder into the printer until it clicks into place, and push down the green handle.



6 Remove the black cap of the new toner bottle by turning it counter-clockwise.



9 Close the front cover.



Note

- ❑ After removing the black cap from the bottle, toner can scatter easily. Do not shake or jar the bottle.

10. Using the Operation Panel

Menu Chart

This section describes how to change the default settings of your printer and provides information on the parameters included in each menu.

Category	Function Menu	
Proof Print ⇒ P.133 "Proof Print Menu"	Print File	
	Delete File	
	Show Error Log	
Job Control ⇒ P.134 "Job Control Menu"	Paper Input	Page Size
		Tray Priority
		Paper Size
		Tray Paper Type
		Bypass Pap.Type
		Auto Tray SW
	Paper Output	Output Tray
		Duplex
		Sort
		Staple
		Punch
	Print Quality	Edge Smoothing
		Resolution
		Image Density
		Toner Saving
	System	Copies
		Print PS Errors
		Energy Saver
		Auto Continue
	PCL Menu	Orientation
		Form Lines
		Font Source
		Font Number
		Point Size
Font Pitch		
Symbol Set		

Category	Function Menu		
Host Interface ⇒ P.141 <i>"Host Interface Menu"</i>	Printer Lang.		
	Parallel Setup	I/O Timeout	
		Bi-direction	
	Network Setup	I/O Timeout	
		IP Address	
		Subnet Mask	
Gateway Address			
Maintenance ⇒ P.143 <i>"Maintenance Menu"</i>	System Reset		
	Menu Reset		
	Registration	Tray3 Width	
		Tray4 Width	
List Print ⇒ P.144 <i>"List Print Menu"</i>	Config. Page		
	Menu List		
	PCL Font List		
	PS Font List		
	PCL Demo Page		
	PS Demo Page		
Language ⇒ P.146 <i>"Language Menu"</i>			

Accessing the Main Menu

Confirm that the printer is offline. If not, take the printer offline.

Press **[Menu]** to display the “Main” menu on the panel display.

The “Main” menu has the following six menus, which can be displayed one by one using **[▼]** or **[▲]**.

- Proof Print
- Job Control
- Host Interface
- Maintenance
- List Print
- Language

Note

- [▼]**: Press to go to the next page.
- [▲]**: Press to go back to the previous page.
- After making the printer's settings, be sure to return to the previous menu by pressing **[Escape]**.
- After making the printer's settings, press **[On Line]** to return to the ready condition.
- The revised settings are not canceled even if the printer power is turned off.

Making Printer Settings with the Operation Panel

1 Press **[Menu]**.

The “Main” menu appears.

2 Search for the desired menu with **[▼]** or **[▲]**.

The desired menu appears.

3 Press **[Enter]**.

4 Search for the desired menu with **[▼]** or **[▲]**.

The desired menu or parameter appears.

 **Note**

“✖” shown in front of the item indicates that item is currently selected.

5 Press **[Enter]**.

The specified item appears.

6 If necessary, repeat steps **4** and **5** until you complete the desired settings.

 **Note**

[Escape]: Press to return to the previous menu. If you press this key before pressing **[Enter]**, the adjusted data is canceled.

Proof Print Menu

There are 3 menus in the “Proof Print” menu.

- Print File
- Delete File
- Show Error Log

Reference

For details on the “Proof Print”, see P.154 “*Specifications*”.

Proof Print Parameters

❖ Proof Print

Menu	Description
Print File	Select a proof print file and print.
Delete File	Select a proof print file and delete.
Show Error Log	Show the error log in the proof print job.



Job Control Menu

There are 5 menus in the “Job Control” Menu.



- Paper Input
- Paper Output
- Print Quality
- System
- PCL Menu

Job Control Parameters



❖ Paper Input ¹/₃

Menu	Description
Page Size	<p>In DOS printing, you should select the page size here when it is not specified in the applications.</p> <p>A4, B5 JIS, A5, A6, 11x17, 8.5x14, 8.5x13, 8.25x13, 8x13, 7.25x10.5, 5.5x8.5, 8.5x11, A3, B4 JIS</p> <p> Note</p> <p><input type="checkbox"/> Default: <i>A4 (Metric Version), 8.5x11 (Inch Version)</i></p>
Tray Priority	<p>You can specify the default tray. The tray selection specified with the printer driver overrides the one specified here. In DOS printing, the tray specified here is used, when no tray is specified for a print job.</p> <p>Auto, Tray1, Tray2, Tray3, Tray4, BYPASS, LCT</p> <p> Note</p> <p><input type="checkbox"/> Default: <i>Auto</i></p> <p><input type="checkbox"/> Only the installed trays appear on the panel display.</p> <p><input type="checkbox"/> It is recommended that you load paper having the size and direction you frequently use in the tray selected with the “Tray Priority”.</p>



❖ Paper Input ²/₃

Menu	Description
Page Size	<p>You should specify the paper size for those not indicated on the paper size dials of the Tray 1, Tray 2, Tray 3 and Tray 4. When you specify the sizes that are not indicated on the paper size dial of Tray 1, Tray 2, Tray 3 or Tray 4, you should set the dial to “✖” and then specify the paper size here.</p> <p>❖ Tray 1 For information on paper sizes that can be set in Tray 1, see P.85 “Paper and Other Media”.</p> <p>❖ Tray 2 For information on paper sizes that can be set in Tray 2, see P.85 “Paper and Other Media”.</p> <p>❖ Tray 3 (option) For information on paper sizes that can be set in Tray 3, see P.85 “Paper and Other Media”.</p> <p>❖ Tray 4 (option) For information on paper sizes that can be set in Tray 4, see P.85 “Paper and Other Media”.</p> <p> Note</p> <p><input type="checkbox"/> Only the installed trays appear on the panel display.</p>
Tray Paper Type	<p>You can specify the type of the paper in Tray 1, Tray 2, Tray 3, Tray 4 and Large Capacity Tray RT36.</p> <p>If you want to specify the paper type, do not select "Auto" in the "Tray Priority" menu. Select the tray you want to use.</p> <ul style="list-style-type: none"> • Plain Paper • Recycled Paper • Special Paper <p> Note</p> <p><input type="checkbox"/> Default: <i>Plain Paper</i></p> <p><input type="checkbox"/> "Special Paper" refers to a paper type other than plain paper or recycled paper, such as colored paper.</p> <p><input type="checkbox"/> Only the installed trays appear on the panel display.</p> <p><input type="checkbox"/> If you select "Special Paper" for all trays, the paper is fed from the tray you selected in the "Tray Priority" menu.</p> <p><input type="checkbox"/> If you select "Auto" in the "Tray Priority" menu, the printer automatically chooses the tray having plain paper. If no tray has plain paper, the printer chooses the tray having recycled paper.</p>






❖ Paper Input ³/₃

Menu	Description
Bypass Pap.Type (Bypass Paper Type)	<p>You can specify the type of the paper in bypass tray.</p> <ul style="list-style-type: none"> • Plain Paper • OHP Sheet • Thick Paper <p> Note <input type="checkbox"/> Default: <i>Plain Paper</i></p>
Auto Tray SW (Auto Tray Switch)	<p>When paper runs out in the currently selected tray, you can specify whether or not the printer chooses another tray that has the same paper in size, media type and feed direction.</p> <ul style="list-style-type: none"> • On • Off <p> Note <input type="checkbox"/> Default: <i>On</i></p>





❖ Paper Output ¹/₂

Menu	Description
Output Tray	<p>You can specify the output tray for printing.</p> <p>The tray selection specified with the printer driver overrides the one specified here.</p> <p>Standard Tray, Finisher Proof, Finisher Shift, Mailbox Proof, Mailbox Tray1, Mailbox Tray2, Mailbox Tray3, Mailbox Tray4, Mailbox Tray5, Mailbox Tray6, Mailbox Tray7, Mailbox Tray8, Mailbox Tray9</p> <p> Note <input type="checkbox"/> Default: <i>Standard Tray</i> <input type="checkbox"/> Only the installed trays appear on the panel display.</p>
Duplex	<p>You can specify the direction for duplex printing.</p> <ul style="list-style-type: none"> • Off • Long Edge Bind. • ShortEdge Bind. <p> Note <input type="checkbox"/> Default: <i>Off</i></p>





❖ Paper Output ²/₂

Menu	Description
Sort	<p>You can specify the type of sort printing.</p> <ul style="list-style-type: none"> • Off • Offset Sort • Rotate Sort <p> Note</p> <p><input type="checkbox"/> Default: <i>Off</i></p>
Staple	<p>You can specify the position where you want paper to be stapled.</p> <p>❖ Finisher SR720</p> <ul style="list-style-type: none"> • Off • On <p>❖ Finisher SR730</p> <p>Off, Left Slant, Right Slant, Lest 2, Right 2, Left Horiz., Right Horiz., Left Vert., Right Vert., Left, Right</p> <p> Note</p> <p><input type="checkbox"/> Default: <i>Off</i></p> <p><input type="checkbox"/> The selection depends on which option is equipped with your printer.</p> <p> Reference</p> <p>⇒ P.151 “<i>Stapling Position and Punch Position</i>”</p>
Punch	<p>You can specify the position where you want the paper to be punched.</p> <ul style="list-style-type: none"> • Off • Left • Right • Top <p> Note</p> <p><input type="checkbox"/> Default: <i>Off</i></p> <p><input type="checkbox"/> Punch is available when the optional Punch Kit Type 450 is installed with the optional Finisher SR730.</p> <p> Reference</p> <p>⇒ P.151 “<i>Stapling Position and Punch Position</i>”</p>








❖ Print Quality

Menu	Description
Edge Smoothing	<p>You can specify whether the Edge Smoothing feature is enabled.</p> <ul style="list-style-type: none"> • On • Off <p> Note</p> <p><input type="checkbox"/> Default: <i>On</i></p>
Resolution	<p>You can specify the print resolution in dots per inch.</p> <ul style="list-style-type: none"> • 600 dpi (PCL 5e, PCL 6, PS) • 300 dpi (PCL 5e) <p> Note</p> <p><input type="checkbox"/> Default: <i>600 dpi</i></p> <p><input type="checkbox"/> The resolution specified with the printer driver overrides the one specified here.</p>
Image Density	<p>You can specify the print image density.</p> <p>Very Light, Light, Normal, Dark, Very Dark</p> <p> Note</p> <p><input type="checkbox"/> Default: <i>Normal</i></p>
Toner Saving	<p>You can specify whether or not the Toner Saving feature is enabled.</p> <ul style="list-style-type: none"> • Off • On <p> Note</p> <p><input type="checkbox"/> Default: <i>Off</i></p>

❖ System

Menu	Description
Copies	<p>You can specify the number of copies you want to make. 1- 999</p> <p> Note</p> <ul style="list-style-type: none"> <input type="checkbox"/> Default: 1 <input type="checkbox"/> The number specified with the printer driver overrides the one specified here.
Print PS Errors	<p>You can specify whether the PS error sheet should be printed out.</p> <ul style="list-style-type: none"> • Off • On <p> Note</p> <ul style="list-style-type: none"> <input type="checkbox"/> Default: <i>Off</i>
Energy Saver	<p>You can specify the time the printer should wait before turning into Energy Saver mode. Energy Saver mode reduces electric power consumption.</p> <p>0 minute, 15 minutes, 30 minutes, 1 hour, 2 hours, 3 hours</p> <p> Note</p> <ul style="list-style-type: none"> <input type="checkbox"/> Default: <i>1 hour</i> <input type="checkbox"/> If there is an error in your printer, the printer will not turn into the Energy Saver mode. <input type="checkbox"/> When the printer switches to Energy Saver mode, the Power indicator turns off, the On Line indicator blinks, and “Energy Save Mode” is displayed on the panel display.
Auto Continue	<p>You can specify the time the printer should wait before cancelling a job after an error occurs. If it is set to “Off”, the print job is automatically reset when an error occurs.</p> <p>Off, 15 seconds, 30 seconds, 60 seconds, 180 seconds, 300 seconds</p> <p> Note</p> <ul style="list-style-type: none"> <input type="checkbox"/> Default: <i>Off</i>

❖ PCL Menu

Menu	Description
Orientation	<p>You can specify the page orientation.</p> <p>The tray selection specified with the printer driver overrides the one specified here.</p> <ul style="list-style-type: none"> • Portrait • Landscape <p> Note</p> <p><input type="checkbox"/> Default: <i>Portrait</i></p>
Form Lines	<p>You can specify the number of lines per page.</p> <p>5-128</p> <p> Note</p> <p><input type="checkbox"/> Default: <i>64</i> (Metric version), <i>60</i> (Inch version)</p>
Font Source	<p>You can specify the location of the default font.</p> <ul style="list-style-type: none"> • Internal • Download <p> Note</p> <p><input type="checkbox"/> Default: <i>Internal</i></p>
Font Number	<p>You can specify the ID for the default font you want to use.</p> <ul style="list-style-type: none"> • 0 to 52 (for Internal) • 1 to N (for Download source) <p> Note</p> <p><input type="checkbox"/> Default: <i>0</i></p> <p><input type="checkbox"/> "N" depends on how many fonts you have downloaded.</p>
Point Size	<p>You can specify the value for the point size you want to use for the selected font.</p> <p>4.00 to 999.75 by 0.25</p> <p> Note</p> <p><input type="checkbox"/> This setting is effective only for a variable-space font.</p>
Font Pitch	<p>You can specify the number of characters per inch you want to use for the selected font.</p> <p>0.44 to 99.99 by 0.01</p> <p> Note</p> <p><input type="checkbox"/> This setting is effective only for a fixed-space font.</p>
Symbol Set	<p>You can specify the set of print characters for the selected font. The available options are as follows.</p> <p>Roman-8, Win L1, Win L2, Win L5, Win Baltic, Win 3.0, Legal, ISO L1, ISO L2, ISO L5, ISO 1, ISO 4, ISO 6, ISO 11, ISO 15, ISO 17, ISO 21, ISO 60, ISO 69, PC-8, PC-850, PC-852, PC-1004, PC-8 D/N, PC8-TK, VN Math, VN US, VN Intl, MS Publ, Pifont, Desktop, Math-8, PS Math, PS Text, MC Text</p> <p> Note</p> <p><input type="checkbox"/> Default: <i>Roman-8</i></p>


Host Interface Menu

There are 3 menus in the “Host Interface” Menu.



- Printer Lang. (Printer Language)
- Parallel Setup
- Network Setup ⇒ P.20 “Configuring the Printer for the Network with the Operation Panel”

Host Interface Parameters





❖ Printer Lang. (Printer Language)

Menu	Description
Printer Lang. (Printer Language)	<p>You can specify the printer language you want to use for the print jobs. When “Auto Sense” is specified, the printer will automatically switch from one language to the right one.</p> <ul style="list-style-type: none"> • Auto Sense • PCL • PS <p> Note <input type="checkbox"/> Default: <i>Auto Sense</i></p>

❖ Parallel Setup

Menu	Description
I/O Timeout	<p>You can specify the time your printer should wait before ending a print job. If data from other ports often appears in the middle of your print job, you should increase the timeout value.</p> <p>15 seconds, 30 seconds, 60 seconds, 180 seconds, 300 seconds</p> <p> Note <input type="checkbox"/> Default: <i>30 seconds</i></p>
Bi-direction	<p>You can specify the printer response mode for status fetch requests when the standard parallel interface is being used. Set this feature to “Off” when you are experiencing problems while the printer is connected to another manufacturer's print box.</p> <ul style="list-style-type: none"> • On • Off <p> Note <input type="checkbox"/> Default: <i>On</i></p>

❖ Network Setup

Menu	Description
I/O Timeout	<p>You can specify the time your printer should wait before ending a print job. If data from other ports often appears in the middle of your print job, you should increase the timeout value.</p> <p>15 seconds, 30 seconds, 60 seconds, 180 seconds, 300 seconds</p> <p> Note</p> <p><input type="checkbox"/> Default: <i>30 seconds</i></p>
IP Address	<p>You can specify the IP Address.</p> <p> Note</p> <p><input type="checkbox"/> Default: <i>All zero</i></p>
Subnet Mask	<p>You can specify the Subnet Mask.</p> <p> Note</p> <p><input type="checkbox"/> Default: <i>All zero</i></p>
Gateway Address	<p>You can specify the Gateway Address.</p> <p> Note</p> <p><input type="checkbox"/> Default: <i>All zero</i></p>

Maintenance Menu

There are 3 menus in the “Maintenance” Menu.

- System Reset
- Menu Reset
- Registration

Maintenance Parameters



❖ System Reset

Menu	Description
System Reset	You can initialize the printer, returning all settings to the factory default.

❖ Menu Reset

Menu	Description
Menu Reset	You can reset the menu settings to the factory default.

❖ Registration

Menu	Description
Tray3 Width	<p>You can change the position of the printed image on the paper fed from Tray 3 so that it can match that of the standard paper tray.</p> <p>from -9.0 to 9.0</p> <p> Note <input type="checkbox"/> Default: 0</p>
Tray4 Width	<p>You can change the position of the printed image on the paper fed from Tray 4 so it can match that of the standard paper tray.</p> <p>from -9.0 to 9.0</p> <p> Note <input type="checkbox"/> Default: 0</p>

List Print Menu

There are 6 menus in the “List Print” Menu.

- Config. Page
- Menu List
- PCL Font List
- PS Font List
- PCL Demo Page
- PS Demo Page

List Print Parameters

❖ List Print

Menu	Description
Config. Page	You can print the current configuration of the printer.
Menu List	You can print the Menu List which shows the function menu of this printer.
PCL Font List	You can print a list of the installed PCL font.
PS Font List	You can print a list of the installed PS font.
PCL Demo Page	You can print a PCL demonstration page which shows information about the printer.
PS Demo Page	You can print a PS demonstration page which shows information about the printer.

Printing the Test Page

You can confirm that the printer works properly by printing a test page (configuration page).

However, you cannot check the connection between the printer and your computer by printing the test page.

1 Confirm that the printer power is turned on.

2 Press **[Menu]**.

The following message appears on the panel display.

Main Menu:
Proof Print

- 3** Press [▼] or [▲] until the following message appears on the panel display.

```
Main Menu:
List Print
```

- 4** Press [Enter].

The following message appears on the panel display.

```
List Print:
Config. Page
```

- 5** Press [Enter].

The following message appears on the panel display.

```
Config. Page:
Press Enter (#)
```

- 6** Press [Enter].

In a short time, the test printing will start.

⚠ Important

- If you cannot complete the test printing correctly, check if an error message appears on the panel display. For more information on error messages, see P.99 "Troubleshooting".

Language Menu

You can select the language you use. Available languages are as follows:

- Metric version
English, Germany, French, Italian, Dutch, Swedish, Norwegian, Danish, Spanish, Finnish, Portuguese, Czech, Polish, Hungarian
- Inch version
English, French, Spanish

Note

- Default: *English*
- If you want to use the English panel display, it is not necessary to change this setting.

Printing with the Operation Panel

Using the Proof Print

Use this function to print only one copy of a multiple copy print job. The other copies are saved in the printer. The saved job can be printed from the printer's operation panel.

Note

- If the application has a collate option, make sure that it is not selected before sending a print job. By default, proof print jobs are automatically collated by the printer driver. If the collate option is selected from the application print dialog box, more copies than intended may be printed.
- You can identify the file you want to print by the User IDs and the time when the job was stored.

Reference

⇒ P.154 "Specifications"

Printing a Proof Print File

1 Press [Menu].

The following message appears on the panel display.

```
Main Menu:
Proof Print
```

2 After confirming that "Proof Print" is displayed, press [Enter].

3 After confirming that "Print File" is displayed, press [Enter].

```
Proof Print:
Print File
```

4 Press [▼] or [▲] to display a file you want to print, and then press [Enter].

```
Print File:
08:56 ABCD1234
```

The following message appears on the panel display.

```
Q'ty(1-999): 1
Press Enter (#)
```

5 Press [▲] or [▼] to set the number of copies.

Note

- You can set the number of copies up to 999.

```
Q'ty(1-999): 6
Press Enter (#)
```

6 Press [Enter].

Deleting a Proof Print File

If the printed document is not what you expect, you can delete the proof print file. You can then revise them and print again until the settings become OK.

1 Press [Menu].

2 After confirming that "Proof Print" is on the display, press [Enter].

```
Main Menu:
Proof Print
```

- 3** Press **[▼]** or **[▲]** until “Delete File” appears, and then press **[Enter]**.

```
Proof Print:
Delete File
```

- 4** Press **[▼]** or **[▲]** to display the file you want delete, and then press **[Enter]**.

```
Delete File:
22:07 EFGH5678
```

The following message appears on the panel display.

```
22:07 EFGH5678:
Delete=Enter (#)
```

- 5** Press **[Enter]**.

This starts deleting a proof print file after the following message appears on the panel display.

```
Deleted
```

Checking the Error Log

- 1** Press **[Menu]**.
- 2** After confirming that “Proof Print” is on the display, press **[Enter]**.

```
Main Menu:
Proof Print
```

- 3** Press **[▼]** or **[▲]** until “Show Error Log” appears, and then press **[Enter]**.

```
Proof Print:
Show Error Log
```

The following message appears on the panel display.

```
Show Error Log:
12:46 IJKL9012
```

 **Note**

- You can check the other error logs by using **[▼]** or **[▲]**.
- Press **[Escape]** to return to the previous menu.

Interpreting the Configuration Page

Reference

- ❖ **Printer ID**
Shows the serial number of the printer.
 - ❖ **Firmware Version**
Shows the version number of the printer PCL firmware.
 - ❖ **Pages Printed**
Shows the total number of pages printed.
-

Memory

- ❖ **Total Memory**
Shows the total amount of memory (SIMM) installed on the printer.
 - ❖ **Proof Print Free Memory (%)**
Shows the amount of hard disk space (as a percentage) that is available for proof print jobs.
 - ❖ **Font Download Total Memory**
Shows the total memory used by the downloaded fonts.
 - ❖ **Font Download Free Memory**
Shows the amount of memory that is available for font downloads.
-

Options

Shows the options installed on the printer.

Job Control

Shows the settings you make with the “Job Control” menu.

 **Reference**

For more information on the “Job Control”, see P.134 “*Job Control Menu*”.

Host Interface

Shows the settings you make with the “Host Interface” menu.

 **Reference**

For more information on the “Host Interface” Menu, see P.141 “*Host Interface Menu*”.

Stapling Position and Punch Position

You can select a stapling or punch position among those listed in the following table.

❖ Finisher SR720

- Stapling position

Feed direction	Orientation	Stapling position
	Portrait	
	Landscape	
	Portrait	
	Landscape	

TAPY810E

❖ Finisher SR730

- Stapling position

Feed direction	Orientation	Stapling position
	Portrait	
	Landscape	
	Portrait	
	Landscape	



- Punch position

Feed direction	Orientation	Punch position
	Portrait	
	Landscape	
	Portrait	
	Landscape	

Memory Capacity and Paper Size

The standard 8 MB is enough for the machine to work with all options, using PCL or PostScript (however, the optional printer hard disk is needed to download PCL 5e fonts and PS fonts).

 **Note**

- This allows 600 dpi printing in duplex mode with A3  /11" × 17"  size paper.

However, for faster printing of complex pages or when using a lot of fonts, add more memory.

Moving and Transporting the Printer

CAUTION:

- *When lifting the machine, use the grips on both sides of the machine. If you drop the machine, it could break or cause an injury.*
- *When you move the machine, remember to unplug the power cord from the outlet. When you pull the plug out of the socket, hold it by the plug. If the cord is pulled out of the socket abruptly, it could become damaged. Damaged plugs or cords can cause an electrical or fire hazard.*

When transporting, repack the printer with its original packing materials.

Important

- Be sure to disconnect all cables from the printer before transporting it.
- The printer is a precision piece of machinery. Take care to avoid damage during shipment.

Specifications

Mainframe

❖ Configuration:



Desktop



❖ Print Process:

Laser beam scanning & Electrophotographic printing

Dualcomponent development

❖ Printing Speed:

Maximum 45 pages per minute (A4 , 8¹/₂" × 11" , simplex)

Maximum 36 pages per minute (A4 , 8¹/₂" × 11" , duplex)

❖ Parallel Interface:

Interface

A standard 36-pin printer cable and a parallel port on the host computer

Mode

IEEE 1284 Compatible, ECP, Nibble

❖ Network Cable

10BASE-T/100BASE-TX shielded twisted-pair (STP) cable

❖ Network:

Topology

Ethernet 10BASE-T/100BASE-TX

Protocol

IPX/SPX, TCP/IP, AppleTalk

❖ Resolution:

600 × 600 dpi (PCL 5e, PCL 6, PS)

400 × 400 dpi (PS)

300 × 300 dpi (PCL 5e)

❖ Printer Language:

PCL 5e emulation, PCL 6 (5e+XL) emulation, Adobe PostScript Level 3

- Automatic language switching (Auto Sense)

❖ Fonts:

PCL 5e, PCL 6

35 Intellifonts, 10 True Type fonts, and 1 Bitmap font

Font Manager available, plus 61 additional fonts. ⇒ P.69 "Installing the Font Manager"

PostScript

136 Adobe Type 1 fonts

❖ **Paper size:**⇒ P.85 *"Paper and Other Media Supported by Your Printer"*❖ **Paper Weight:**⇒ P.85 *"Paper and Other Media Supported by Your Printer"*❖ **Power Source:**

⇒ inside of the front cover of this manual

❖ **Power Consumption:**

Maximum	1,200 W or less
Printing	1,000 W or less
Energy Saver Mode	45 W or less

❖ **Noise Emission (Sound Power Level):**

Printing	70 dB (A)
Stand-by	42 dB (A)

📌 **Note**

☐ The preceding measurements are made in accordance with ISO7779.

❖ **Dimensions:**

	Width	Depth	Height
Printer only (bypass tray not extended)	665 mm (26.2")	640 mm (25.2")	570 mm (22.4")
Printer with paper bank (bypass tray not extended)	665 mm (26.2")	640 mm (25.2")	820 mm (32.3")
Printer with full options ^{*1} (bypass tray extended)	2,140 mm (84.3")	640 mm (25.2")	970 mm (38.2")

*1 Finisher SR730, Mailbox CS360, Bridge Unit Type 450, Large Capacity Tray RT36 and paper bank PS430.

❖ **Weight:**

Approximately 62 kg (136.7 lb) (power cord included)

❖ **Warm-up Time:**

Less than 100 seconds (68 °F)

❖ Paper Capacity:

Standard paper tray	500 sheets × 2 ^{*1}
Bypass tray	50 sheets ^{*1}
Optional paper bank	500 sheets × 2 ^{*1}
Optional large capacity tray	1,500 sheets ^{*1}

^{*1} Paper weight: 80 g/m², 20 lb

❖ Paper Output Capacity:

500 sheets (80 g/m², 20 lb)

If the paper is curled or if you use the guides, the output capacity is reduced.

❖ Memory:

Standard 8 MB, up to 72 MB (with SIMM module)

❖ Number of Proof Prints:

- The actual number of pages the printer can save depends on the contents of the print images. For example, the printer can save a number of proof print files equal in size to 965 pages of the configuration page.
- If the first copy of the proof print file is not what you expected and you do not want to print the remaining copies, delete the proof print file using the operation panel. If you print the remaining copies of the proof print file, the job in the printer is deleted automatically.

❖ Options:

- Paper Bank PS430
- Large Capacity Tray RT36
- Finisher SR720
- Finisher SR730
- Punch Kit Type 450
- Mailbox CS360
- Bridge Unit Type 450
- Bridge Unit Type 460
- Hard Disk Drive Type 450

Options

Paper Bank PS430

- ❖ **Paper size:**
⇒ P.85 *"Paper and Other Media Supported by Your Printer"*
- ❖ **Paper weight:**
⇒ P.85 *"Paper and Other Media Supported by Your Printer"*
- ❖ **Maximum power consumption:**
50 W (power is supplied from the main frame.)
- ❖ **Paper capacity:**
⇒ P.85 *"Paper and Other Media Supported by Your Printer"*
- ❖ **Dimensions (W × D × H):**
540 × 600 × 270 mm (21.3" × 23.7" × 10.7")
- ❖ **Weight:**
Approx. 25 kg (55.2 lb)

**Note**

- Specifications are subject to change without notice.

Large Capacity Tray RT36

- ❖ **Paper size:**
⇒ P.85 *"Paper and Other Media Supported by Your Printer"*
- ❖ **Paper weight:**
⇒ P.85 *"Paper and Other Media Supported by Your Printer"*
- ❖ **Paper capacity:**
⇒ P.85 *"Paper and Other Media Supported by Your Printer"*
- ❖ **Power consumption:**
Approx. 40 W (power is supplied from the main frame.)
- ❖ **Dimensions (W × D × H):**
390 × 500 × 390 mm (15.4" × 19.7" × 15.4")
- ❖ **Weight:**
Approx. 17 kg (37.5 lb)

Finisher SR720

❖ **Paper size:**

A3, B4 JIS, A4, B5 JIS, A5, A6, 11" × 17", 8½" × 14", 8½" × 11", 5½" × 8½", 7¼" × 10½", 8¼" × 13", 8½" × 13", 8" × 13"

❖ **Paper weight:**

52 – 157 g/m² (14 – 42 lb)

❖ **Stack capacity:**

- 1,000 sheets (A4, 8½" × 11" or smaller) (80 g/m², 20 lb)
- 500 sheets (B4 JIS, 8½" × 14" or larger) (80 g/m², 20 lb)

❖ **Staple capacity:**

- 30 sheets (A4, 8½" × 11" or smaller) (80 g/m², 20 lb)
- 20 sheets (B4 JIS, 8½" × 14" or larger) (80 g/m², 20 lb)

❖ **Staple paper size:**

A3, B4 JIS, A4, B5 JIS, 11" × 17", 8½" × 14", 8½" × 11"

❖ **Staple paper weight:**

64 – 80 g/m² (17 – 20 lb)

❖ **Staple position:**

⇒ P.151 "Stapling Position and Punch Position"

❖ **Power consumption:**

48 W (power is supplied from the main frame.)

❖ **Dimensions (W × D × H):**

568 × 520 × 625 mm (22.4" × 20.5" × 24.6")

❖ **Weight:**

Approx. 21 kg (46.3 lb)

Finisher SR730

Shift Tray:❖ **Paper size:**



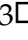


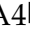


A3, B4 JIS, A4, B5 JIS, A5, A6, 11" × 17", 8½" × 14", 8½" × 11", 5½" × 8½", 7¼" × 10½", 8¼" × 13", 8½" × 13", 8" × 13"

❖ **Paper weight:**

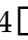
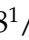
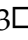
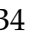

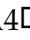
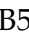
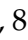
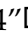

52 – 157 g/m² (14 – 42 lb)

❖ **Stack capacity:**

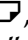
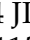
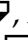

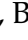

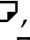

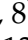
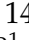


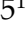
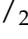
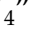
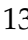
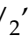
without punch:

- 3,000 sheets (A4 , 8 1/2" × 11" ) (80 g/m², 20 lb)
- 1,500 sheets (A3 , B4 JIS , A4 , B5 JIS  , 11" × 17" ) (80 g/m², 20 lb)

with punch (the optional punch kit is required):

- 2,500 sheets (A4 , 8 1/2" × 11" ) (80 g/m², 20 lb)
- 1,500 sheets (A3 , B4 JIS , A4 , B5 JIS  , 11" × 17" , 8 1/2" × 14" , 8 1/2" × 11" ) (80 g/m², 20 lb)

Proof Tray:❖ **Paper size:**

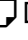
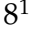

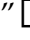


A3 , B4 JIS , A4  , B5 JIS  , A5 , A6 , 11" × 17" , 8 1/2" × 14" , 8 1/2" × 11"  , 5 1/2" × 8 1/2" , 7 1/4" × 10 1/2" , 8 1/4" × 13" , 8 1/2" × 13" , 8" × 13" 

❖ **Paper weight:**


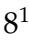
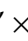
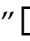


52 – 157 g/m² (14 – 42 lb)

❖ **Stack capacity:**

without punch:


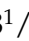
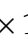



- 250 sheets (A4  , 8 1/2" × 11"   or smaller) (80 g/m², 20 lb)
- 50 sheets (B4 JIS , 8 1/2" × 14"  or larger) (80 g/m², 20 lb)

with punch (the optional punch kit is required):


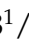
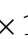



- 200 sheets (A4  , 8 1/2" × 11"   or smaller) (80 g/m², 20 lb)
- 50 sheets (B4 JIS , 8 1/2" × 14"  or larger) (80 g/m², 20 lb)

Staple:❖ **Staple capacity:**





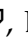

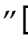
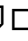
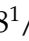


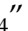
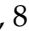
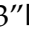

without punch:

- 50 sheets (A4  , 8 1/2" × 11"   or smaller) (80 g/m², 20 lb)
- 30 sheets (B4 JIS , 8 1/2" × 14"  or larger) (80 g/m², 20 lb)

with punch (the optional punch kit is required):

- 40 sheets (A4  , 8 1/2" × 11"   or smaller) (80 g/m², 20 lb)
- 25 sheets (B4 JIS , 8 1/2" × 14"  or larger) (80 g/m², 20 lb)

❖ **Staple paper size:**

A3 , B4 JIS , A4  , B5 JIS  , 11" × 17" , 8 1/2" × 11"  , 8 1/2" × 14"  , 7 1/4" × 10 1/2" , 8 1/4" × 13" , 8 1/2" × 13" , 8" × 13" 

❖ **Staple paper weight:**64 – 80 g/m² (17 – 20 lb)❖ **Staple position:**⇒ P.151 “*Stapling Position and Punch Position*”❖ **Power consumption:**

48 W (power is supplied from the main frame.)

❖ **Dimensions (W × D × H):**

625 × 545 × 960 mm (24.7” × 21.5” × 37.8”)

❖ **Weight:**

Approx. 45 kg (99.3 lb)

Punch Kit Type 450 **Note**

□ Optional unit for the Finisher SR730.

❖ **Paper size (2 holes version):**A3□, B4 JIS□, A4□□, B5 JIS□□, A5□□, 11” × 17”□, 8¹/₂” × 11”□□, 5¹/₂” × 8¹/₂”□□, 8¹/₂” × 14”□, 7¹/₄” × 10¹/₂”□, 8¹/₄” × 13”□, 8¹/₂” × 13”□, 8” × 13”□❖ **Paper size (3 holes version):**A3□, B4 JIS□, A4□, B5 JIS□, 11” × 17”□, 8¹/₂” × 11”□❖ **Paper weight:**

- 2 holes version: 52 – 128 g/m² (14 – 34 lb)
- 3 holes version: 52 – 105 g/m² (14 – 28 lb)

❖ **Punch position:**⇒ P.151 “*Stapling Position and Punch Position*”❖ **Power consumption:**

33.6 W (power is supplied from the 3000-sheet finisher.)

❖ **Dimensions (W × D × H):**

92 × 463 × 100 mm (3.7” × 18.3” × 4.0”)

❖ **Weight:**

2.4 kg (5.3 lb)

Mailbox CS360

❖ Number of trays:

9 bins, 1 Proof Tray

❖ Paper size:

Bin 1 to 9:

A3, B4 JIS, A4, B5 JIS, A5, 11" × 17", 8¹/₂" × 14", 8¹/₂" × 11", 5¹/₂" × 8¹/₂", 7¹/₄" × 10¹/₂", 8¹/₄" × 13", 8¹/₂" × 13", 8" × 13"

Proof Tray:

A3, B4 JIS, A4, B5 JIS, A5, A6, 11" × 17", 8¹/₂" × 14", 8¹/₂" × 11", 5¹/₂" × 8¹/₂", 7¹/₄" × 10¹/₂", 8¹/₄" × 13", 8¹/₂" × 13", 8" × 13"

❖ Paper weight:

Bin: 60 to 90 g/m² (16 to 24 lb)

Proof: 52 to 157 g/m² (14 to 42 lb)

❖ Paper capacity:

Bin: 100 sheet per tray (A4, 8¹/₂" × 11", 80 g/ m²) / 70 sheets per tray (Others)

Proof: 500 sheet per tray (A4, 8¹/₂" × 11", 80 g/ m²) / 300 sheets per tray (Others)

❖ Power consumption:

48 W

❖ Dimensions (W × D × H):

600 × 545 × 980 mm (2.75" × 3.9" × 0.3")

❖ Weight:

Approx. 37 kg (82 lb)

Hard Disk Drive Type 450

❖ Storage capacity:

1.6 GB

INDEX

A

adhesive labels, 91

B

BOOTP Lite, 23
Bridge Unit Type 450, 12
Bridge Unit Type 460, 12
bypass tray, 5

C

cable, 154
Caution, ii
Config. Page, 144
configuration, 26, 31, 36, 48, 49
configuration page, 149
configuration programs, 23

D

Data In indicator, 7, 104
Delete File, 133
development unit, 6
DHCP, 22
duplex unit, 5
duplex unit right cover, 5

E

Energy Star, v
Enter key, 8
Error indicator, 7, 102
error & status messages, 99
Escape key, 8, 131
EtherTalk, 48

F

Finisher SR720, 12, 120, 123, 158
Finisher SR730, 12, 121, 124, 158
Firmware Version, 149
Font Download Free Memory, 149
Font Download Total Memory, 149
Font Manager, 69, 71
fonts, 154
Form Feed key, 8
front cover, 4
fusing unit, 6

G

gateway address, 20
guides, 9

H

Hard Disk Drive Type 450, 13, 161
Host Interface, 141, 149

I

IP Peer-to-Peer, 23
IP address, 20, 22
IP Peer-to-Peer, 26, 32
IPX Peer-to-Peer, 23, 28

J

Job Control, 134, 149
Job Reset key, 8

L

Language, 146
Large Capacity Tray RT36, 12, 157
List Print, 144
lower vertical paper feed cover, 5
LPR, 34

M

Macintosh, 48
 canceling a print job, 84
 PostScript, installing, 63
 PostScript, uninstalling, 67
 setting up, 81
Mailbox CS360, 12, 161
Maintenance, 143
MAP, 23
media, 85, 93
memory, 149, 152, 156
memory unit, 14
menu, 131
menu chart, 129
Menu key, 8, 131, 132
Menu List, 144
Menu Reset, 143
misfeed, 108

N

NetBEUI, 31
NetWare, 23, 36
network, 20, 154
network cable connector, 4
Network Setup, 141
NIB Setup Tool, 24, 36
NWSetup, 23

O

OHP transparency, 90
On Line indicator, 7, 102
On Line key, 8, 102, 131
Operating Instructions, vi
operation panel, 4, 7, 129
options, 11, 149, 156, 157
output tray, 4

P

Pages Printed, 149
panel display, 7
paper, 85, 93
paper bank, 4, 12, 16, 157
Paper Input, 134
Paper Output, 134
paper, sizes, types, 85
paper tray, 4
parallel interface connector, 4
Parallel Setup, 141
PCL 5e, 3, 51, 56, 73
PCL 6, 3, 51, 56, 73
PCL Demo Page, 144
PCL Font List, 144
PCL Menu, 134
Peer-to-Peer, 26, 31
plain paper, 90
PostScript, 3, 59, 66, 77
PostScript 3 Operating Instructions Supplement, vi
PostScript Printer Driver, 59, 66
power cord, 5
Power indicator, 7
power switch, 4
PPD, 64
printer board, 4
printer driver, 3
Printer ID, 149
Printer Lang., 141
Printer Port, 29, 33

Print File, 133
Print Quality, 134
Proof Print, 133, 147
Proof Print Free Memory (A4), 149
PS430, 4, 12, 16, 157
PS Demo Page, 144
PS Font List, 144
punch, 151
Punch Kit Type 450, 160
punch waste box, 126

Q

Quick Installation Guide, vi

R

reference, 149
Registration, 143
right cover, 6

S

screwdriver, 13
Show Error Log, 133
SIMM, 14, 156
specifications, 154
staple, 120, 123, 151
subnet mask, 20
System, 134
System Reset, 143

T

TCP/IP, 22, 31
toner bottle, 127
toner holder, 6
toner lock handle, 6
Total Memory, 149
transfer unit, 6
translucent paper, 91
troubleshooting, 99

U

UNIX, 49
upper vertical paper feed cover, 5

V

ventilator, 5

W

Warning, ii

Windows 3.1x

- canceling a print job*, 82
- Font Manager, installing*, 69
- Font Manager, uninstalling*, 71
- PCL 5e, installing*, 52
- PCL 5e, uninstalling*, 56
- PCL 6, installing*, 52
- PCL 6, uninstalling*, 56
- PostScript, installing*, 60
- PostScript, uninstalling*, 66
- printer setting dialog box, PCL*, 74
- printer setting dialog box, PostScript*, 78

Windows 95/98

- canceling a print job*, 82
- configuration*, 26
- Font Manager, installing*, 69
- Font Manager, uninstalling*, 71
- PCL 5e, installing*, 51
- PCL 5e, uninstalling*, 56
- PCL 6, installing*, 51
- PCL 6, uninstalling*, 56
- PostScript, installing*, 59
- PostScript, uninstalling*, 66
- printer properties, PCL*, 73
- printer properties, PostScript*, 77

Windows NT 4.0

- canceling a print job*, 83
- configuration*, 31
- Font Manager, installing*, 69
- Font Manager, uninstalling*, 71
- PCL 5e, installing*, 53
- PCL 5e, uninstalling*, 57
- PCL 6, installing*, 53
- PCL 6, uninstalling*, 57
- PostScript, installing*, 61
- PostScript, uninstalling*, 66
- printer properties, PCL*, 75
- printer properties, PostScript*, 79